

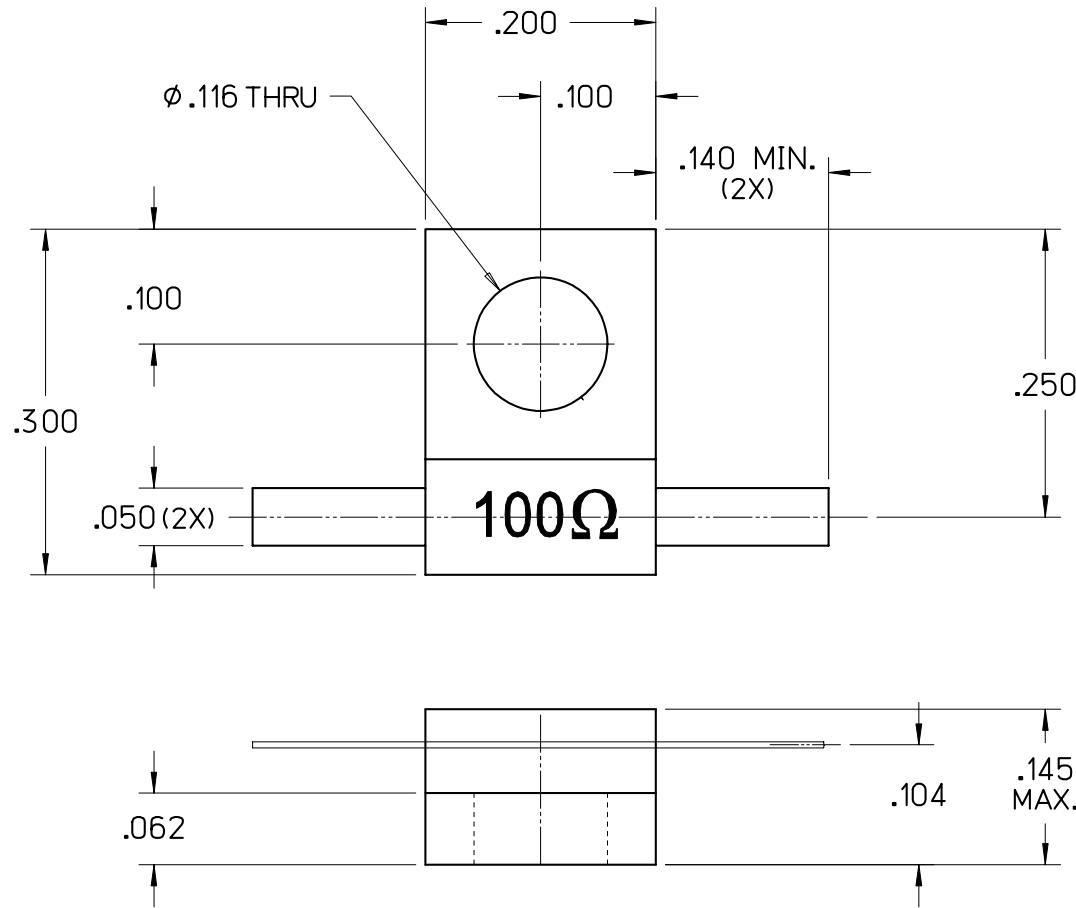
MI DRG. NO.

RF020AA01B

REV.

RF020AA01 B

HIGH POWER ALN RESISTOR



SPECIFICATIONS

FILE: RESOUT

POWER MAX (WATTS):	20 CW
RESISTANCE	100 OHMS ($\pm 5\%$)

B	10/24/07	MLD	MAI	MAI	000607
A	06/12/07	SAF	-	-	000563
LEVEL	DATE	DRN.	CHK.	APP.	ECN

REVISIONS

DRN.	CHK.	APP.	SCALE
SAF	SAF	MAI	6" = 1"
DATE	DATE	DATE	.XX \pm .015
06/12/07	06/12/07	06/13/07	.XXX \pm .010



JOHANSON MANUFACTURING CORPORATION
 ROCKAWAY VALLEY ROAD, BOONTON, N.J. 07005 (973)334-2676 FAX (973)334-2954
 ELECTRONIC ACCURACY THROUGH MECHANICAL PRECISION

PROPRIETARY INFORMATION CONTAINED NOT TO BE USED WITHOUT JOHANSON MANUFACTURING CORPORATION APPROVAL