

MI DRG. NO.

RF010BN01C

REV.

**RF010BN01 C****HIGH POWER BeO RESISTOR  
(B10N-R1)**

SPECIFICATIONS

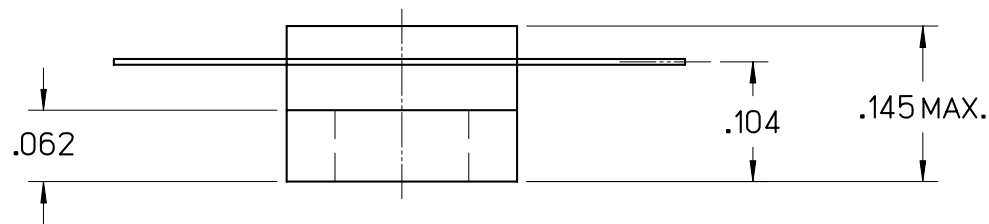
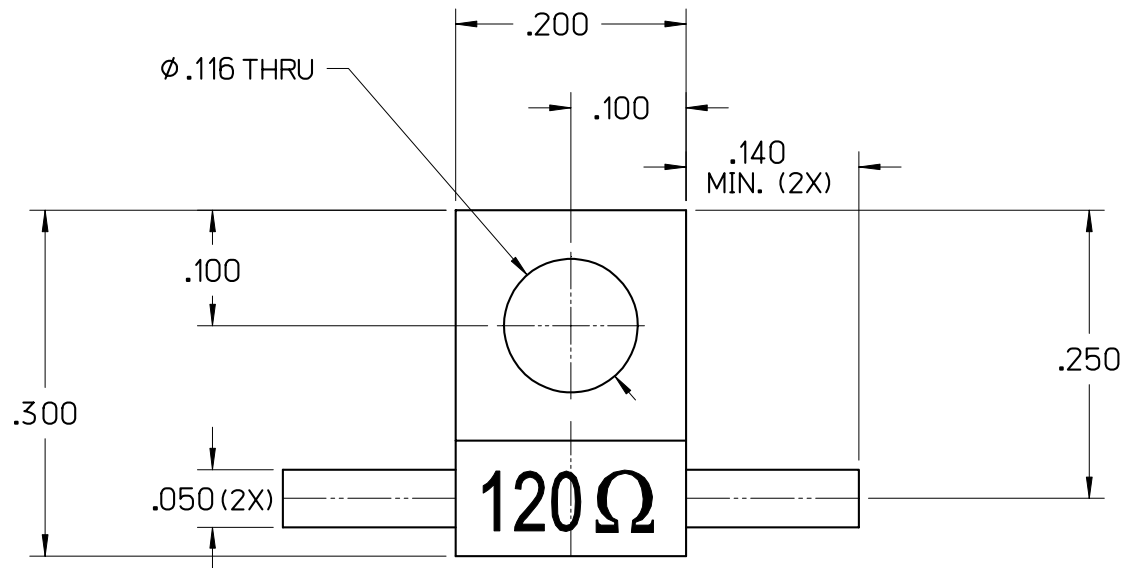
FILE: RESOUT

POWER MAX  
(WATTS):

10 CW

RESISTANCE

120 OHMS (±5%)

**CAUTION**

THIS SUBSTRATE USES BERYLLIUM OXIDE  
USE CARE WHEN HANDLING.  
DO NOT SCRATCH OR ABRASIVE  
TRIM IN OPEN AREA.

C	10/24/07	MLD	MAI	MAI	000607
B	10/20/06	MLD	MAI	MAI	000457
A	06/02/06	MLD	-	-	000409
LEVEL	DATE	DRN.	CHK.	APP.	ECN

## REVISIONS

DRN.	CHK.	APP.	SCALE
MLD	MAI	MAI	6" = 1"
DATE	DATE	DATE	.XX ± .015
06/02/06	07/06/06	07/06/06	.XXX ± .010



**JOHANSON MANUFACTURING CORPORATION**  
ROCKAWAY VALLEY ROAD, BOONTON, N.J. 07005 (973)334-2676 FAX (973)334-2954  
ELECTRONIC ACCURACY THROUGH MECHANICAL PRECISION

PROPRIETARY INFORMATION CONTAINED NOT TO BE USED WITHOUT JOHANSON MANUFACTURING CORPORATION APPROVAL