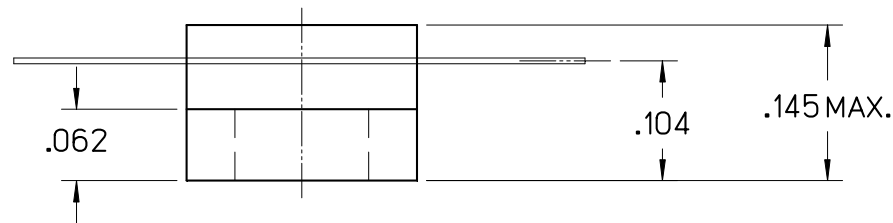
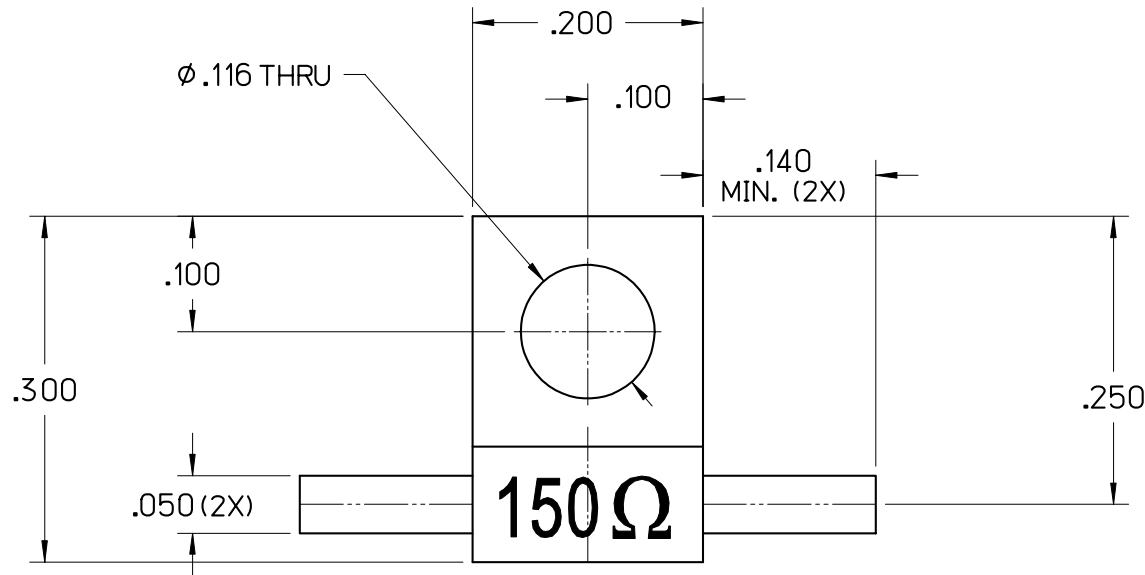


# RF010BG01 C

## HIGH POWER BeO RESISTOR (B10G-R1)

SPECIFICATIONS		FILE: RESOUT
POWER MAX (WATTS):	10 CW	
RESISTANCE	150 OHMS (±5%)	



### CAUTION

THIS SUBSTRATE USES BERYLLIUM OXIDE  
 USE CARE WHEN HANDLING.  
 DO NOT SCRATCH OR ABRASIVE  
 TRIM IN OPEN AREA.

C	10/24/07	MLD	MAI	MAI	000607
B	10/20/06	MLD	MAI	MAI	000457
A	06/02/06	MLD	-	-	000409
LEVEL	DATE	DRN.	CHK.	APP.	ECN

#### REVISIONS

DRN.	CHK.	APP.	SCALE
MLD	MAI	MAI	6" = 1"
DATE	DATE	DATE	.XX ± .015
06/02/06	07/06/06	07/06/06	.XXX ± .010



**JOHANSON MANUFACTURING CORPORATION**  
 ROCKAWAY VALLEY ROAD, BOONTON, N.J. 07005 (973)334-2676 FAX (973)334-2954  
 ELECTRONIC ACCURACY THROUGH MECHANICAL PRECISION