

MI DRG. NO.

RF010BB01C

REV.

RF010BB01 C**HIGH POWER BeO RESISTOR
(B10B-R1)**

SPECIFICATIONS

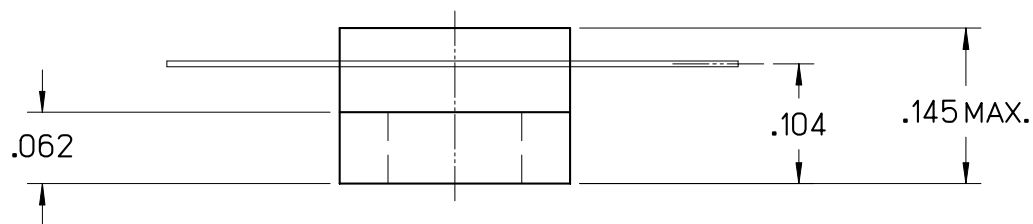
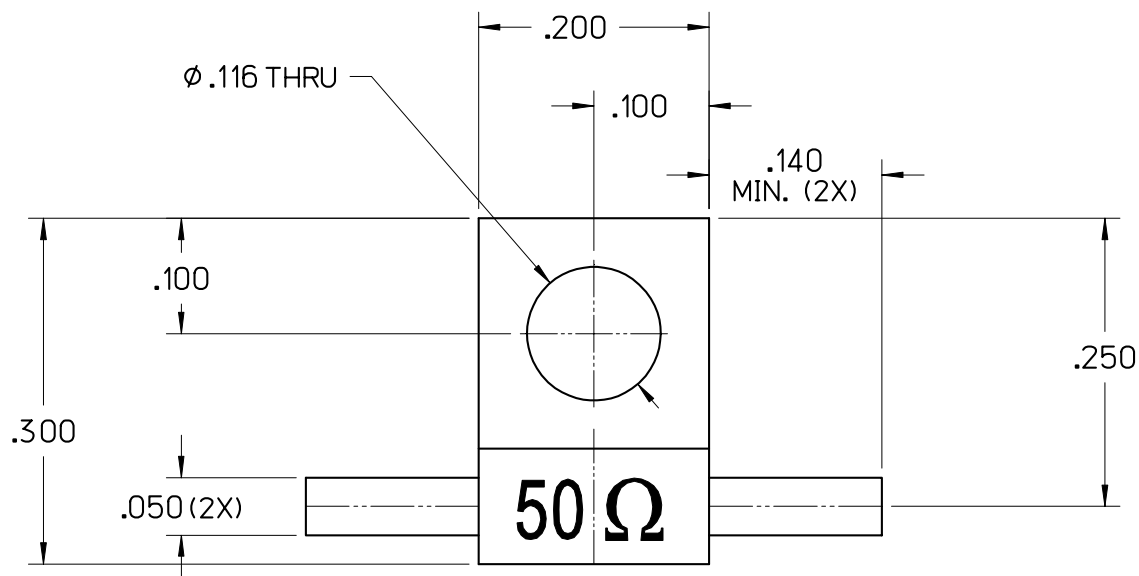
FILE: RESOUT

POWER MAX
(WATTS):

10 CW

RESISTANCE

50 OHMS (±5%)

**CAUTION**

THIS SUBSTRATE USES BERYLLIUM OXIDE
USE CARE WHEN HANDLING.
DO NOT SCRATCH OR ABRASIVE
TRIM IN OPEN AREA.

C	10/24/07	MLD	MAI	MAI	000607
B	10/2006	MLD	MAI	MAI	000457
A	06/02/06	MLD	-	-	000409
LEVEL	DATE	DRN.	CHK.	APP.	ECN

REVISIONS

DRN.	CHK.	APP.	SCALE
MLD	MAI	MAI	6" = 1"
DATE	DATE	DATE	.XX ± .015
06/02/06	07/06/06	07/06/06	.XXX ± .010

**JOHANSON MANUFACTURING CORPORATION**

ROCKAWAY VALLEY ROAD, BOONTON, N.J. 07005 (973)334-2676 FAX (973)334-2954
ELECTRONIC ACCURACY THROUGH MECHANICAL PRECISION

PROPRIETARY INFORMATION CONTAINED NOT TO BE USED WITHOUT JOHANSON MANUFACTURING CORPORATION APPROVAL