

MI DRG. NO.

RF010BA02C

REV.

RF010BA02 C

HIGH POWER BeO RESISTOR (B10A-R2)

SPECIFICATIONS

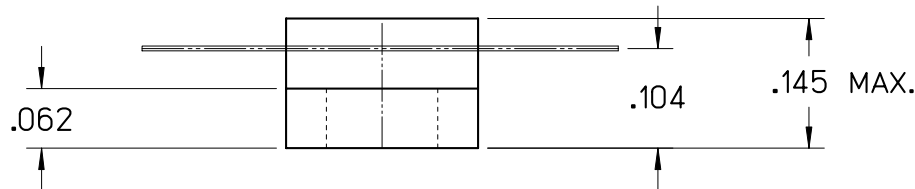
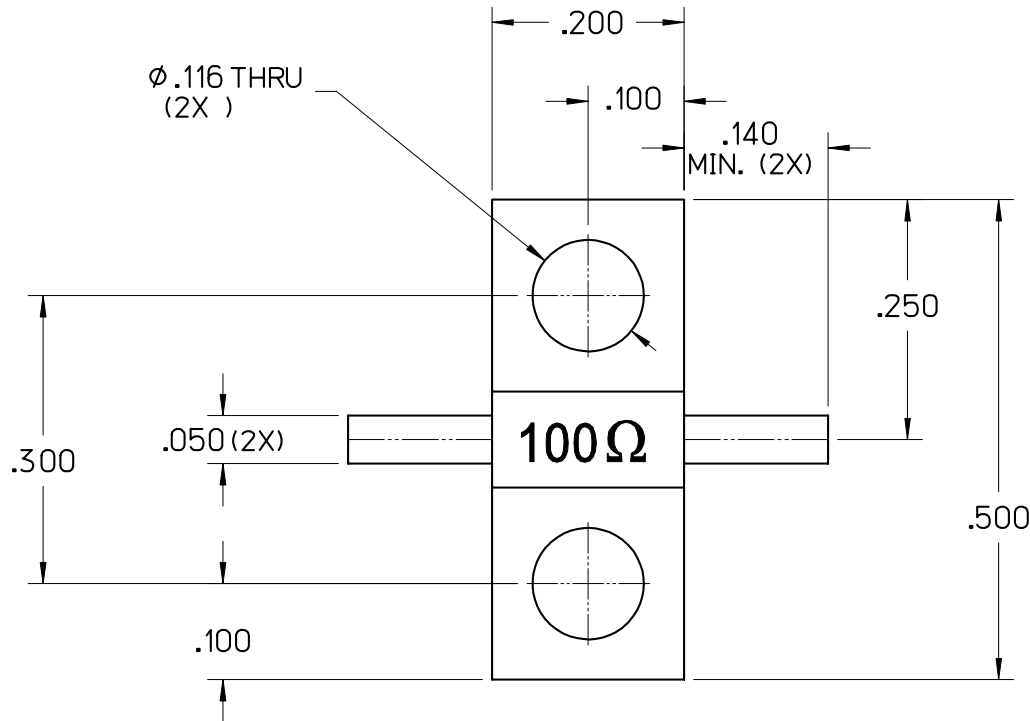
FILE: RESOUT

POWER MAX
(WATTS):

10 CW

RESISTANCE

100 OHMS (±5%)



CAUTION

THIS SUBSTRATE USES BERYLLIUM OXIDE
USE CARE WHEN HANDLING.
DO NOT SCRATCH OR ABRASIVE
TRIM IN OPEN AREA.

C	10/24/07	MLD	MAI	MAI	000607
B	10/20/06	MLD	MAI	MAI	000457
A	05/30/06	MLD	-	-	000409
LEVEL	DATE	DRN.	CHK.	APP.	ECN

REVISIONS

DRN.	CHK.	APP.	SCALE
MLD	MAI	MAI	5" = 1"
DATE	DATE	DATE	.XX ± .015
05/30/06	07/06/06	07/06/06	.XXX ± .010



JOHANSON MANUFACTURING CORPORATION
ROCKAWAY VALLEY ROAD, BOONTON, N.J. 07005 (973)334-2676 FAX (973)334-2954
ELECTRONIC ACCURACY THROUGH MECHANICAL PRECISION

PROPRIETARY INFORMATION CONTAINED NOT TO BE USED WITHOUT JOHANSON MANUFACTURING CORPORATION APPROVAL