

MI DRG. NO.

RF010AE01A

REV.

RF010AE01 A**HIGH POWER ALN RESISTOR**

SPECIFICATIONS

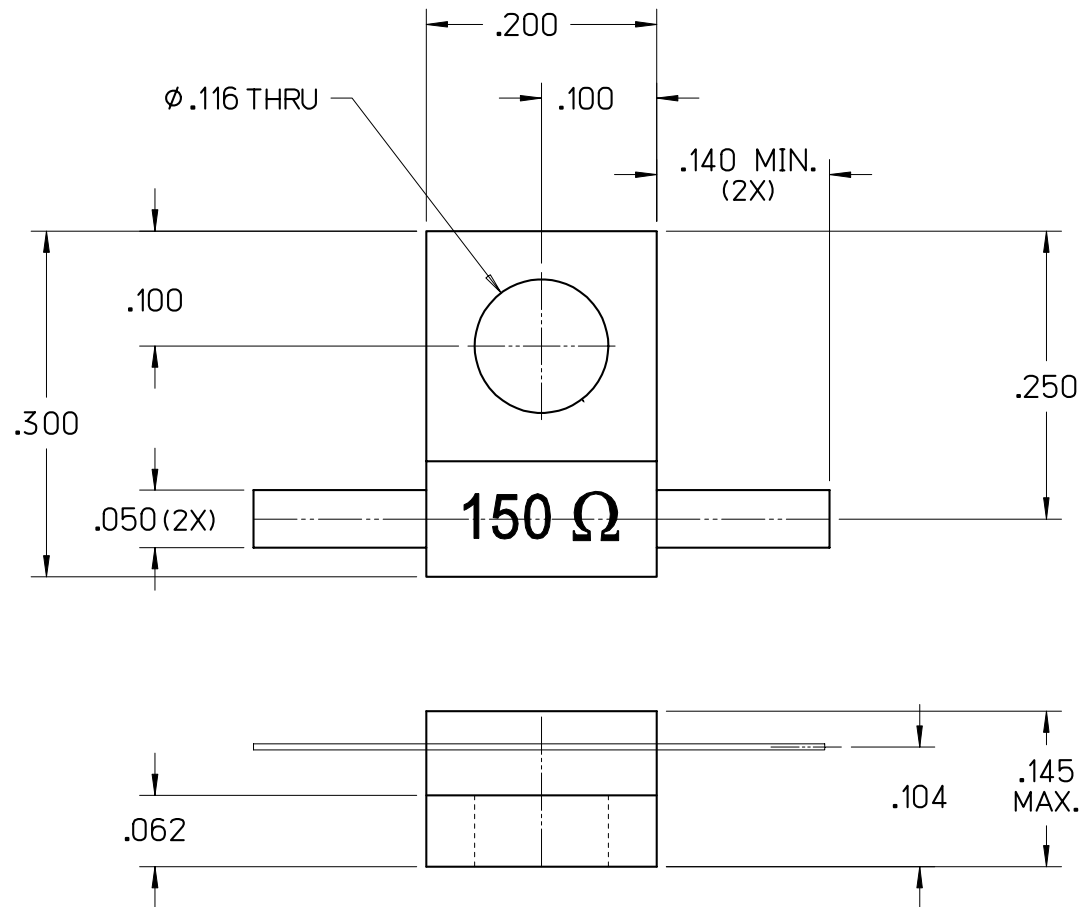
FILE: RESOUT

POWER MAX
(WATTS):

10 CW

RESISTANCE

150 OHMS (±5%)



A	11/24/08	MLD	-	-	000736
LEVEL	DATE	DRN.	CHK.	APP.	ECN

REVISIONS

DRN.	CHK.	APP.	SCALE
MLD	MAI	MAI	6" = 1"
DATE	DATE	DATE	.XX ± .015
11/24/08	11/25/08	11/25/08	.XXX ± .010



JOHANSON MANUFACTURING CORPORATION
 ROCKAWAY VALLEY ROAD, BOONTON, N.J. 07005 (973)334-2676 FAX (973)334-2954
 ELECTRONIC ACCURACY THROUGH MECHANICAL PRECISION

PROPRIETARY INFORMATION CONTAINED NOT TO BE USED WITHOUT JOHANSON MANUFACTURING CORPORATION APPROVAL