

MI DRG. NO.

RF010AB01B

REV.

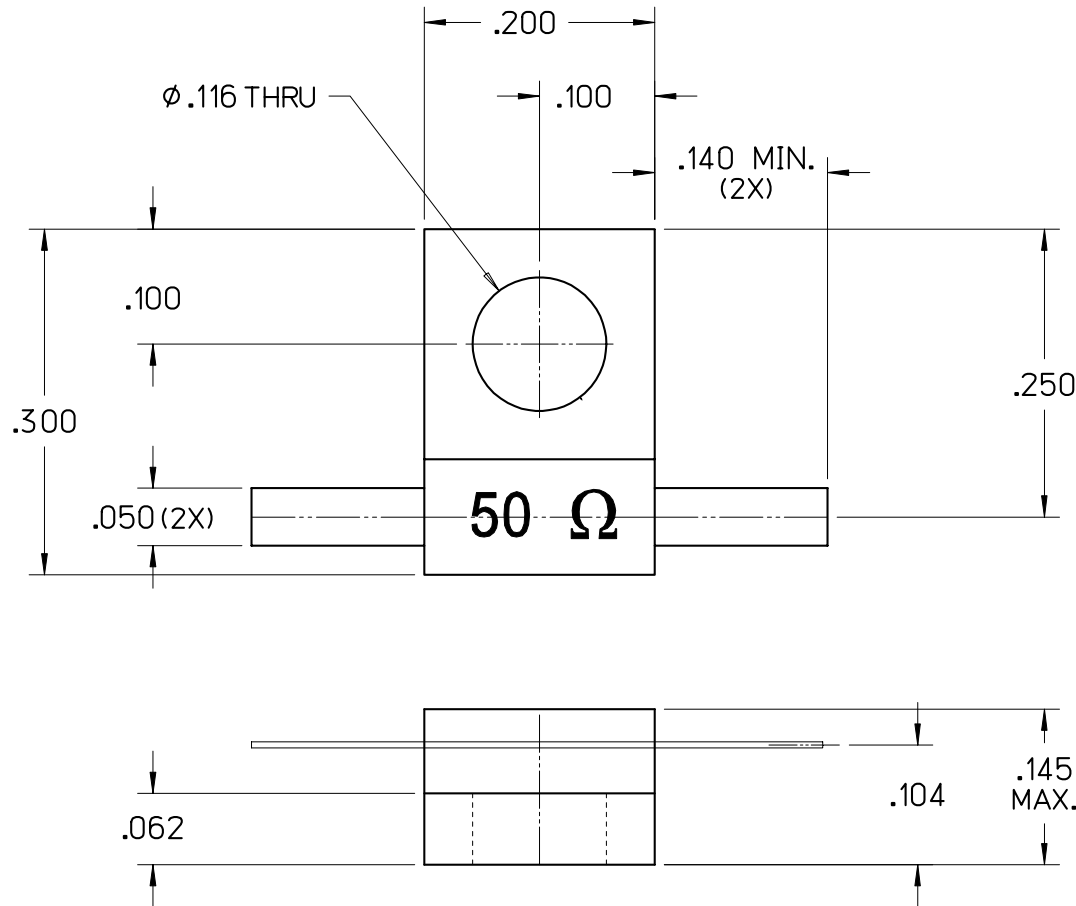
RF010AB01B

HIGH POWER ALN RESISTOR (A10B-R1)

SPECIFICATIONS

FILE: RESOUT

POWER MAX (WATTS):	10 CW
RESISTANCE	50 OHMS (±5%)



B	10/24/07	MLD	MAI	MAI	000607
A	01/09/07	MLD	-	-	000486
LEVEL	DATE	DRN.	CHK.	APP.	ECN

REVISIONS

DRN.	CHK.	APP.	SCALE
MLD	MAI	MAI	6" = 1"
DATE	DATE	DATE	.XX ± .015
01/09/07	01/16/07	01/16/07	.XXX ± .010



JOHANSON MANUFACTURING CORPORATION
 ROCKAWAY VALLEY ROAD, BOONTON, N.J. 07005 (973)334-2676 FAX (973)334-2954
 ELECTRONIC ACCURACY THROUGH MECHANICAL PRECISION

PROPRIETARY INFORMATION CONTAINED NOT TO BE USED WITHOUT JOHANSON MANUFACTURING CORPORATION APPROVAL