

MI DRG. NO.

RF010AA02C

REV.

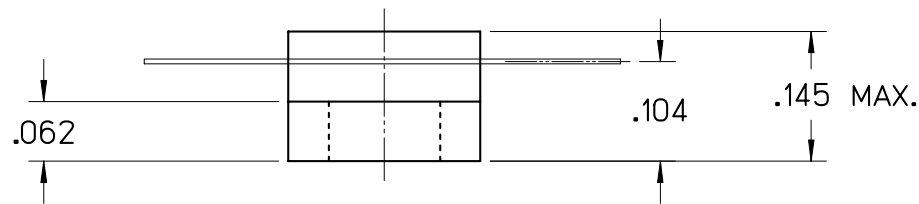
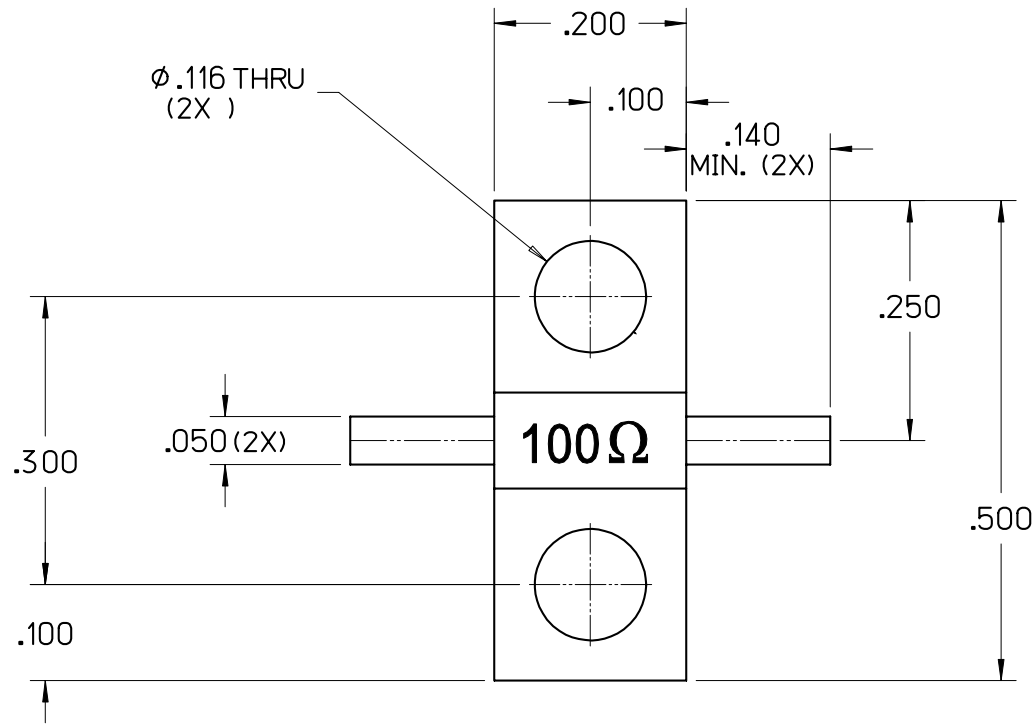
# RF010AA02C

## HIGH POWER ALN RESISTOR (A10A-R2)

SPECIFICATIONS

FILE: RESOUT

POWER MAX (WATTS):	10 CW
RESISTANCE	100 OHMS (±5%)



C	10/24/07	MLD	MAI	MAI	000607
B	10/20/06	MLD	MAI	MAI	000457
A	05/17/06	MLD	-	-	000409
LEVEL	DATE	DRN.	CHK.	APP.	ECN

REVISIONS

DRN.	CHK.	APP.	SCALE
MLD	MAI	MAI	5" = 1"
DATE	DATE	DATE	.XX ± .015
05/17/06	07/13/06	07/13/06	.XXX ± .010



**JOHANSON MANUFACTURING CORPORATION**  
 ROCKAWAY VALLEY ROAD, BOONTON, N.J. 07005 (973)334-2676 FAX (973)334-2954  
 ELECTRONIC ACCURACY THROUGH MECHANICAL PRECISION

PROPRIETARY INFORMATION CONTAINED NOT TO BE USED WITHOUT JOHANSON MANUFACTURING CORPORATION APPROVAL