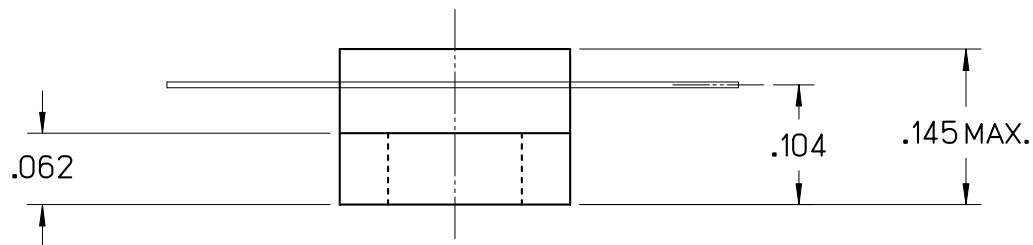
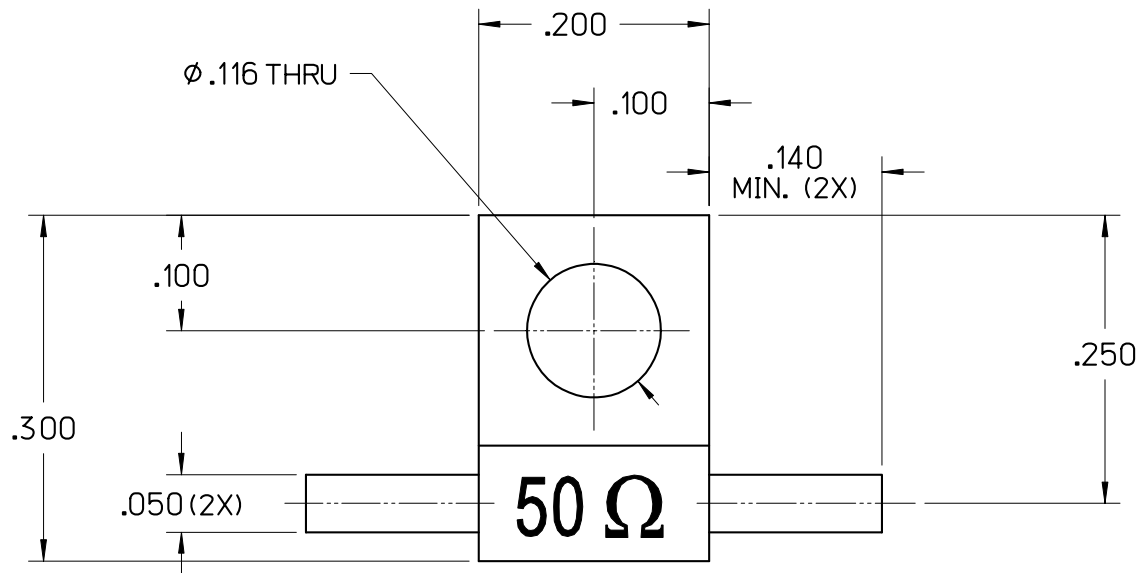


MI DRG. NO.

RF005BB01B

REV.

**RF005BB01 B****HIGH POWER BeO RESISTOR****CAUTION**

THIS SUBSTRATE USES BERYLLIUM OXIDE  
USE CARE WHEN HANDLING.  
DO NOT SCRATCH OR ABRASIVE  
TRIM IN OPEN AREA.

## SPECIFICATIONS

FILE: RESOUT

POWER MAX  
(WATTS):

5 CW

RESISTANCE

50 OHMS (±5%)

B	10/24/07	MLD	MAI	MAI	000607
A	07/06/07	SAF	-	-	000572
LEVEL	DATE	DRN.	CHK.	APP.	ECN

## REVISIONS

DRN.	CHK.	APP.	SCALE
SAF	MAI	MAI	6" = 1"
DATE	DATE	DATE	.XX ± .015
07/06/07	07/09/07	07/09/07	.XXX ± .010



**JOHANSON MANUFACTURING CORPORATION**  
ROCKAWAY VALLEY ROAD, BOONTON, N.J. 07005 (973)334-2676 FAX (973)334-2954  
ELECTRONIC ACCURACY THROUGH MECHANICAL PRECISION

PROPRIETARY INFORMATION CONTAINED NOT TO BE USED WITHOUT JOHANSON MANUFACTURING CORPORATION APPROVAL