

MI DRG. NO.

RF002BB01B

REV.

RF002BB01 B**HIGH POWER BeO RESISTOR**

SPECIFICATIONS

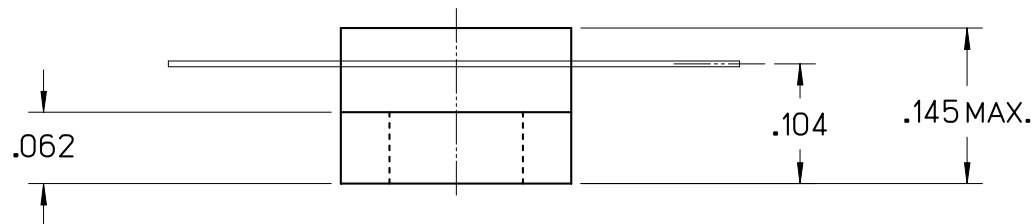
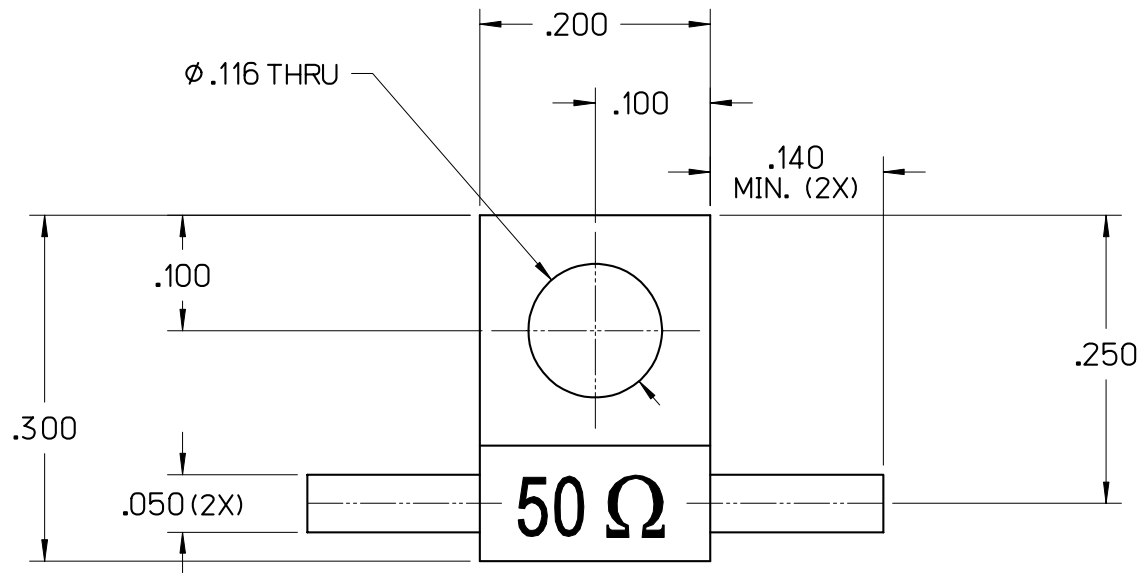
FILE: RESOUT

POWER MAX
(WATTS):

2 CW

RESISTANCE

50 OHMS (±5%)

**CAUTION**

THIS SUBSTRATE USES BERYLLIUM OXIDE
USE CARE WHEN HANDLING.
DO NOT SCRATCH OR ABRASIVE
TRIM IN OPEN AREA.

B	10/24/07	MLD	MAI	MAI	000607
A	07/06/07	SAF	-	-	000572
LEVEL	DATE	DRN.	CHK.	APP.	ECN

REVISIONS

DRN.	CHK.	APP.	SCALE
SAF	MAI	MAI	6" = 1"
DATE	DATE	DATE	.XX ± .015
07/06/07	07/09/07	07/09/07	.XXX ± .010

**JOHANSON MANUFACTURING CORPORATION**

ROCKAWAY VALLEY ROAD, BOONTON, N.J. 07005 (973)334-2676 FAX (973)334-2954
ELECTRONIC ACCURACY THROUGH MECHANICAL PRECISION

PROPRIETARY INFORMATION CONTAINED NOT TO BE USED WITHOUT JOHANSON MANUFACTURING CORPORATION APPROVAL