

MI DRG. NO.

CT1X1BR5CA

REV.

CR1X1BR5C

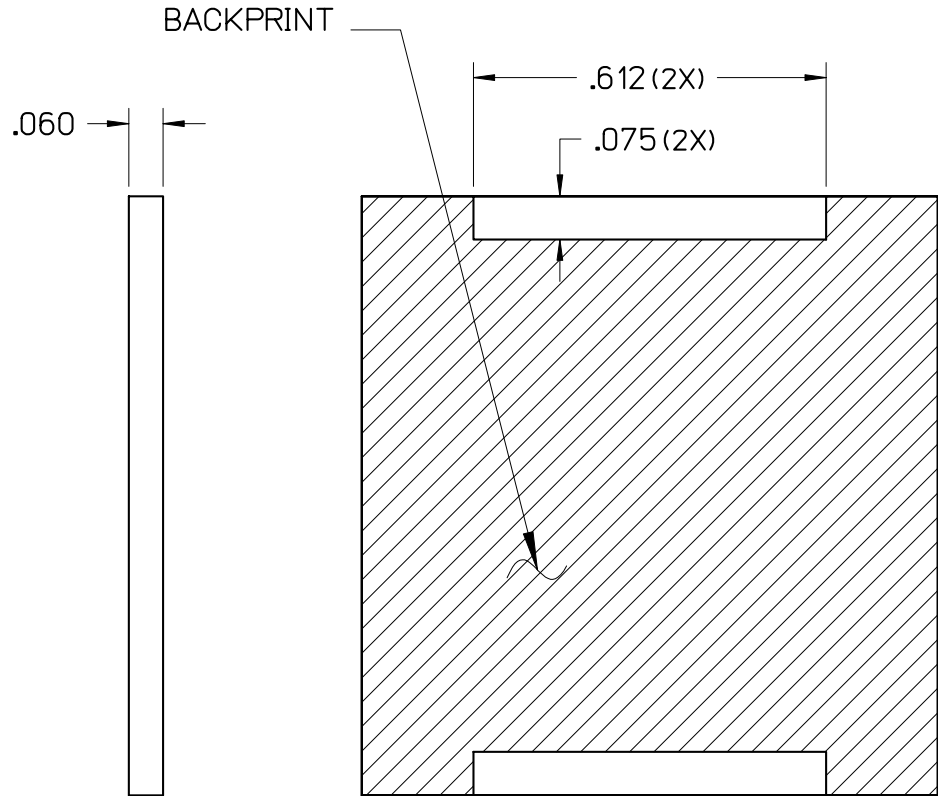
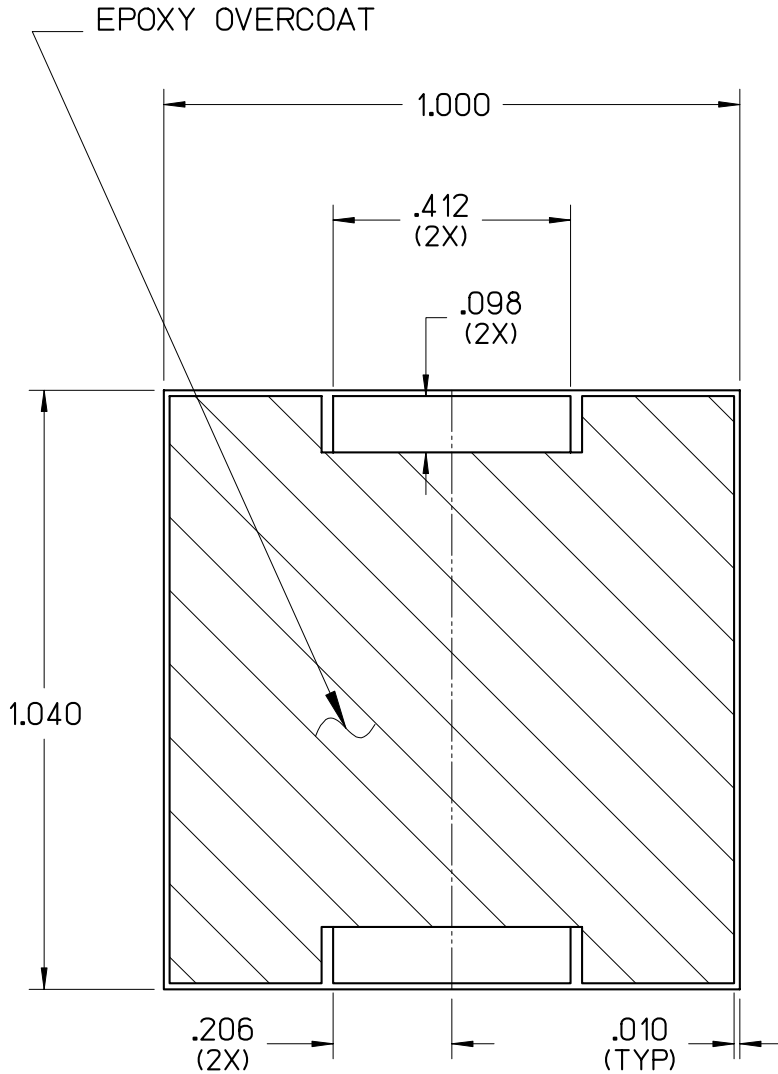
A

CHIP RESISTOR, HIGH POWER BEO

CAUTION

THIS SUBSTRATE USES BERYLLIUM OXIDE
USE CARE WHEN HANDLING.
DO NOT SCRATCH OR ABRASIVE
TRIM IN OPEN AREA.

SPECIFICATIONS		FILE: RESOUT
POWER MAX (WATTS):	1000 CW	
RESISTANCE	8.33 OHMS (±5%)	



A	04/05/08	MAI	-	-	000659
LEVEL	DATE	DRN.	CHK.	APP.	ECN

REVISIONS

DRN.	CHK.	APP.	SCALE
MAI	MAI	MAI	2" = 1"
DATE	DATE	DATE	.XX ± .015
04/05/08	04/05/08	04/05/08	.XXX ± .005



JOHANSON MANUFACTURING CORPORATION
ROCKAWAY VALLEY ROAD, BOONTON, N.J. 07005 (973)334-2676 FAX (973)334-2954
ELECTRONIC ACCURACY THROUGH MECHANICAL PRECISION

PROPRIETARY INFORMATION CONTAINED NOT TO BE USED WITHOUT JOHANSON MANUFACTURING CORPORATION APPROVAL