



RF025AB01

AIN Flanged Resistor

Power: 25 Watts (CW)

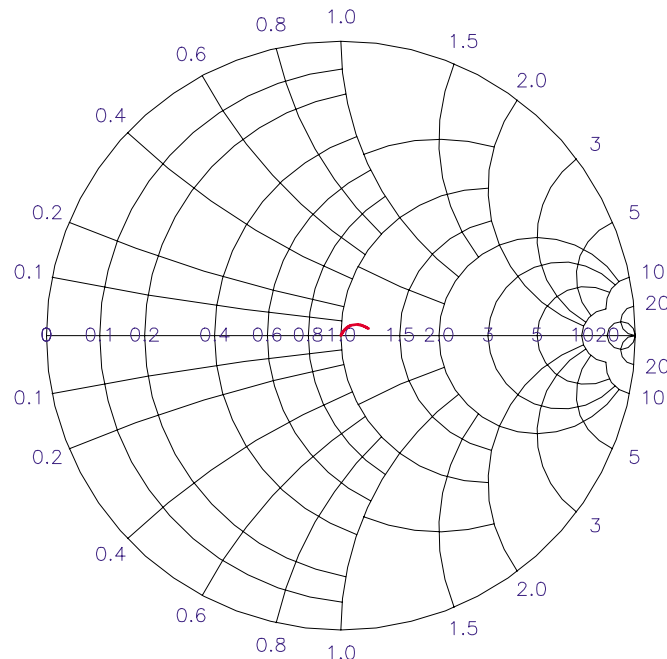
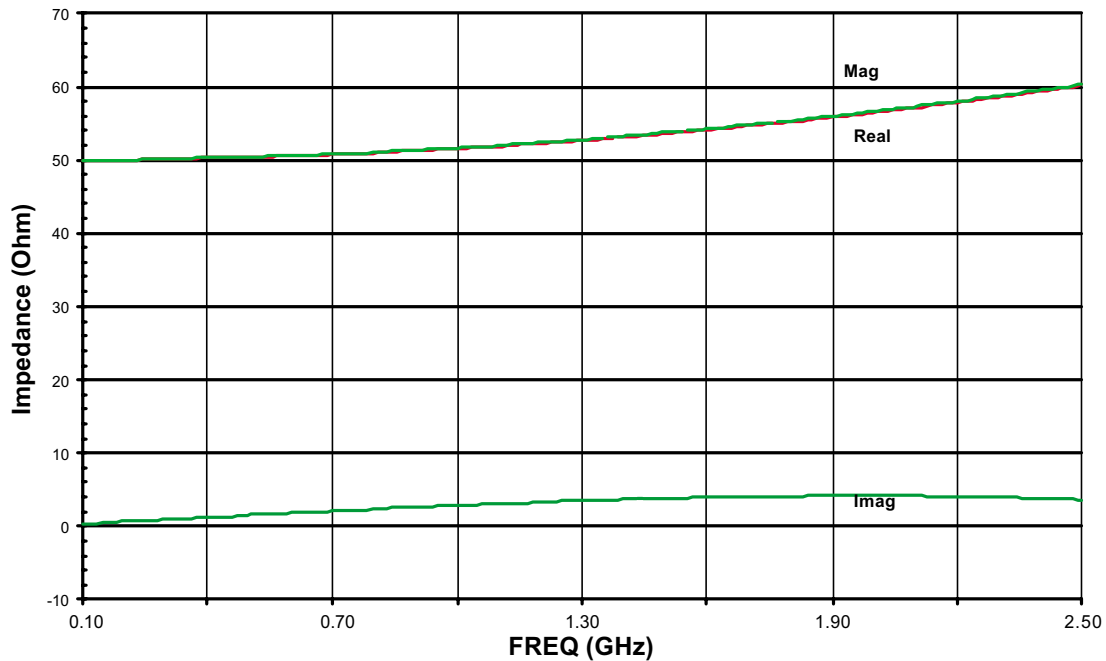
Resistance: 50 Ω ± 5%

Frequency Range: DC to 2.5 GHz

Substrate: AIN



TYPICAL PERFORMANCE



For detailed information regarding this product or sample request contact Johanson Sales

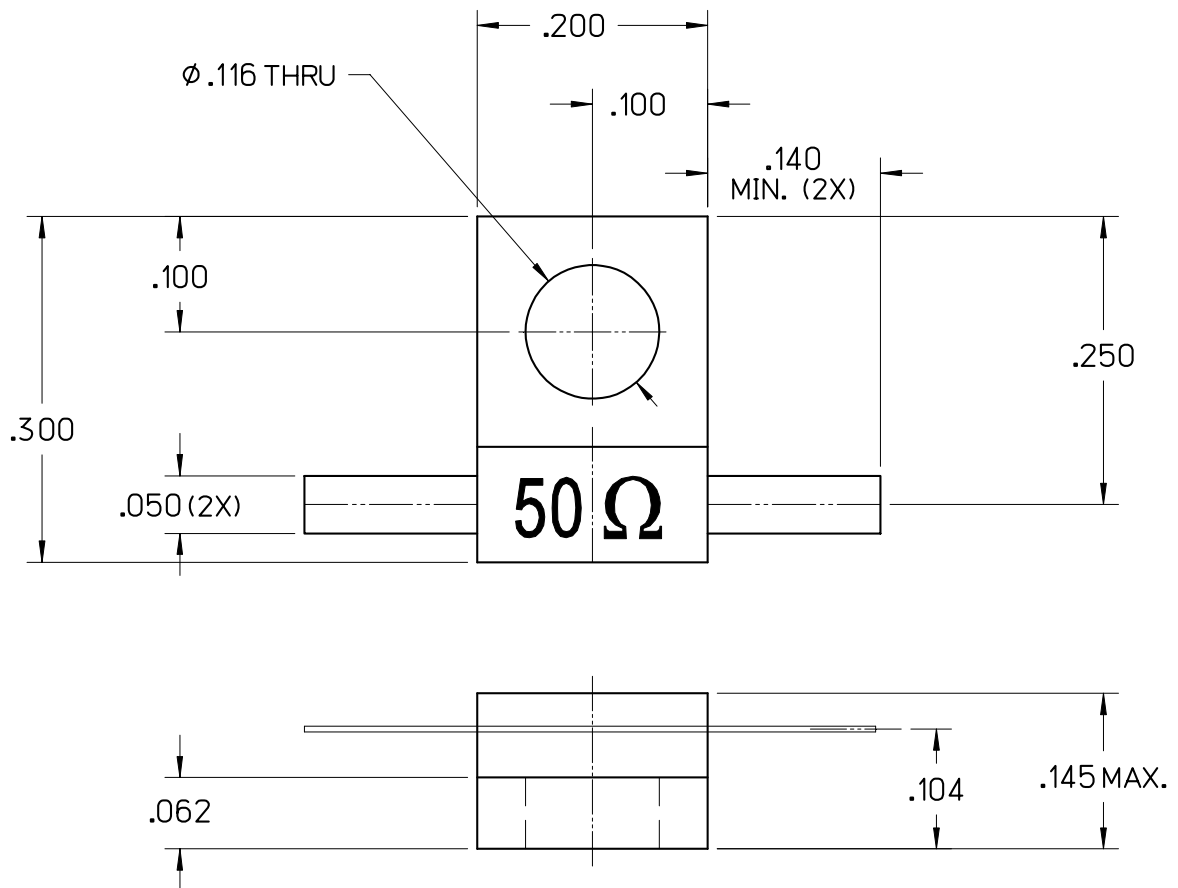


Johanson Manufacturing Corporation • 301 Rockaway Valley Road, Boonton, New Jersey 07005 • Phone 973.334.2676 • Fax 973.334.2954
STAY TUNED • ELECTRONIC ACCURACY THROUGH MECHANICAL PRECISION • WWW.JOHANSONMFG.COM



RF025AB01

AIN Flanged Resistor



For detailed information regarding this product or sample request contact Johanson Sales



Johanson Manufacturing Corporation • 301 Rockaway Valley Road, Boonton, New Jersey 07005 • Phone 973.334.2676 • Fax 973.334.2954
STAY TUNED • ELECTRONIC ACCURACY THROUGH MECHANICAL PRECISION • WWW.JOHANSONMFG.COM