

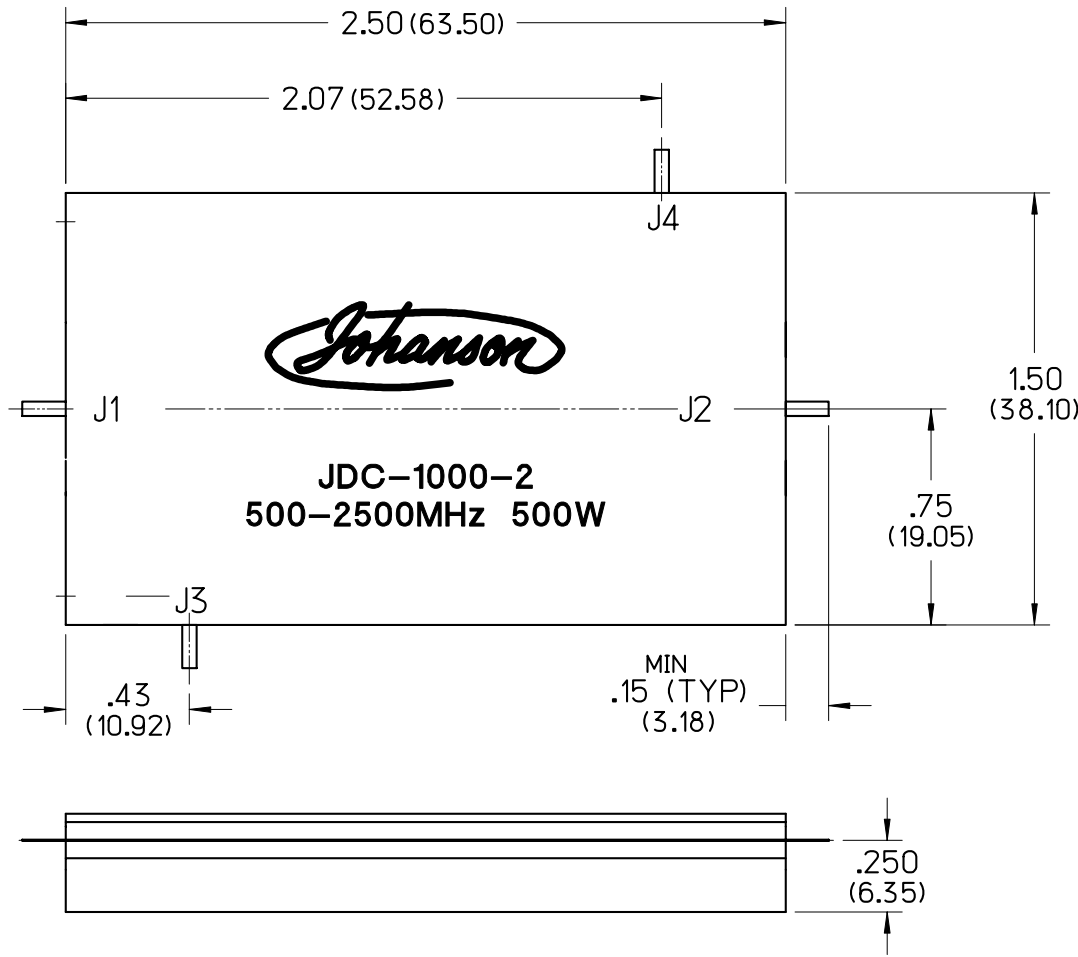
MI DRG. NO.

JDC-1000-2A

REV.

JDC-1000-2 A

DUAL DIRECTIONAL COUPLER
500 - 2500 MHz, 500 WATT, 40 Db

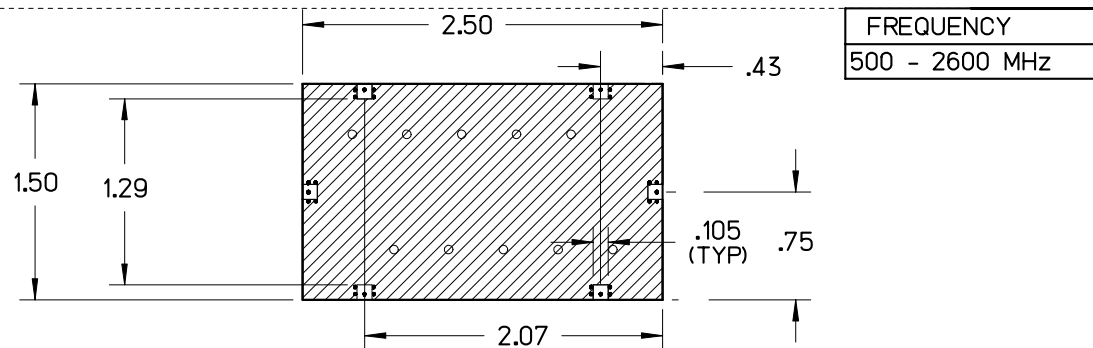


ELECTRICAL SPECIFICATIONS	FILE: COUPOUT
FREQUENCY	500 - 2500 MHz
INSERTION LOSS	< 0.25 dB
VSWR	< 1.25:1
COUPLING	40.0 ±1.0dB
DIRECTIVITY	> 18 dB
COUPLED FLATNESS	±0.50 dB
POWER	500 WATT

NOTES:

1. LEAD MATERIAL 99.99% PURE SILVER .005 IN. THK
2. RoHS COMPLIANT
3. DIMENSIONS - INCHES
DIMENSIONS - (mm) & ARE FOR REFERENCE

OPTIONAL SURFACE MOUNT PAD CONFIGURATION: PART# JDC-1000-2SM



PRELIMINARY

LEVEL	DATE	DRN.	CHK.	APP.	ECN
A	6/23/09	RJV	-	-	NONE
REVISIONS					
DRN.	CHK.	APP.	SCALE		
RJV	—	—	1.5" = 1"		
DATE	DATE	DATE	.XX ±.02 (.50)		
6/23/09	—	—	.XXX±.005(.127)		



JOHANSON MANUFACTURING CORPORATION
ROCKAWAY VALLEY ROAD, BOONTON, N.J. 07005 (973)334-2676 FAX (973)334-2954
ELECTRONIC ACCURACY THROUGH MECHANICAL PRECISION

PROPRIETARY INFORMATION CONTAINED NOT TO BE USED WITHOUT JOHANSON MANUFACTURING CORPORATION APPROVAL