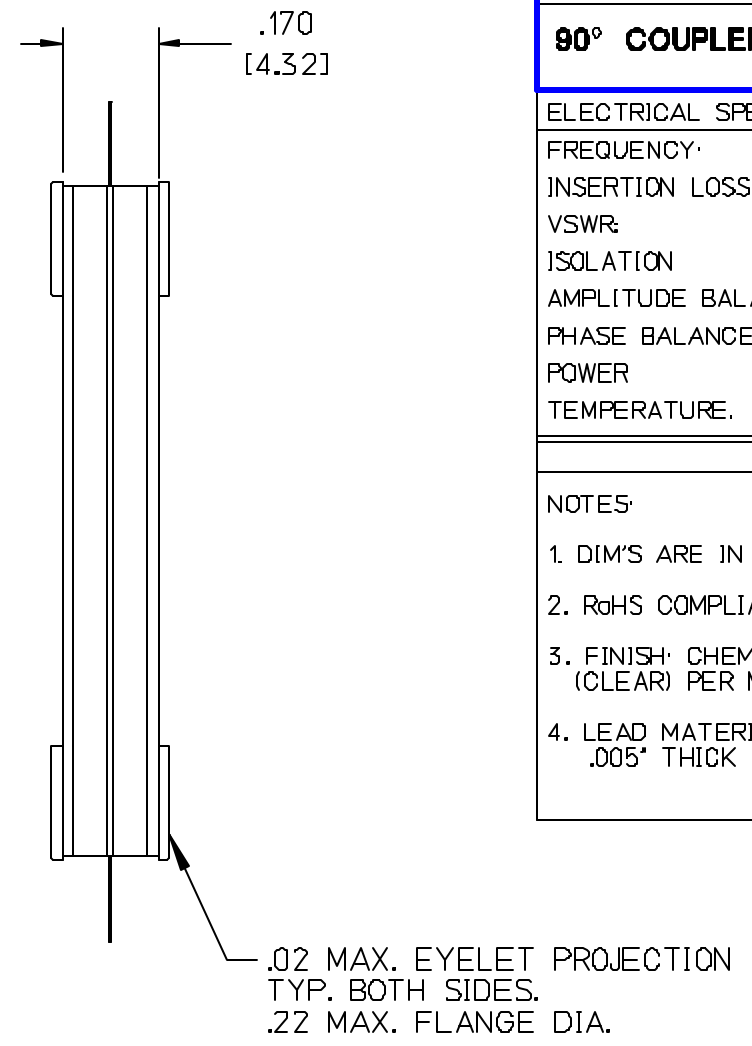
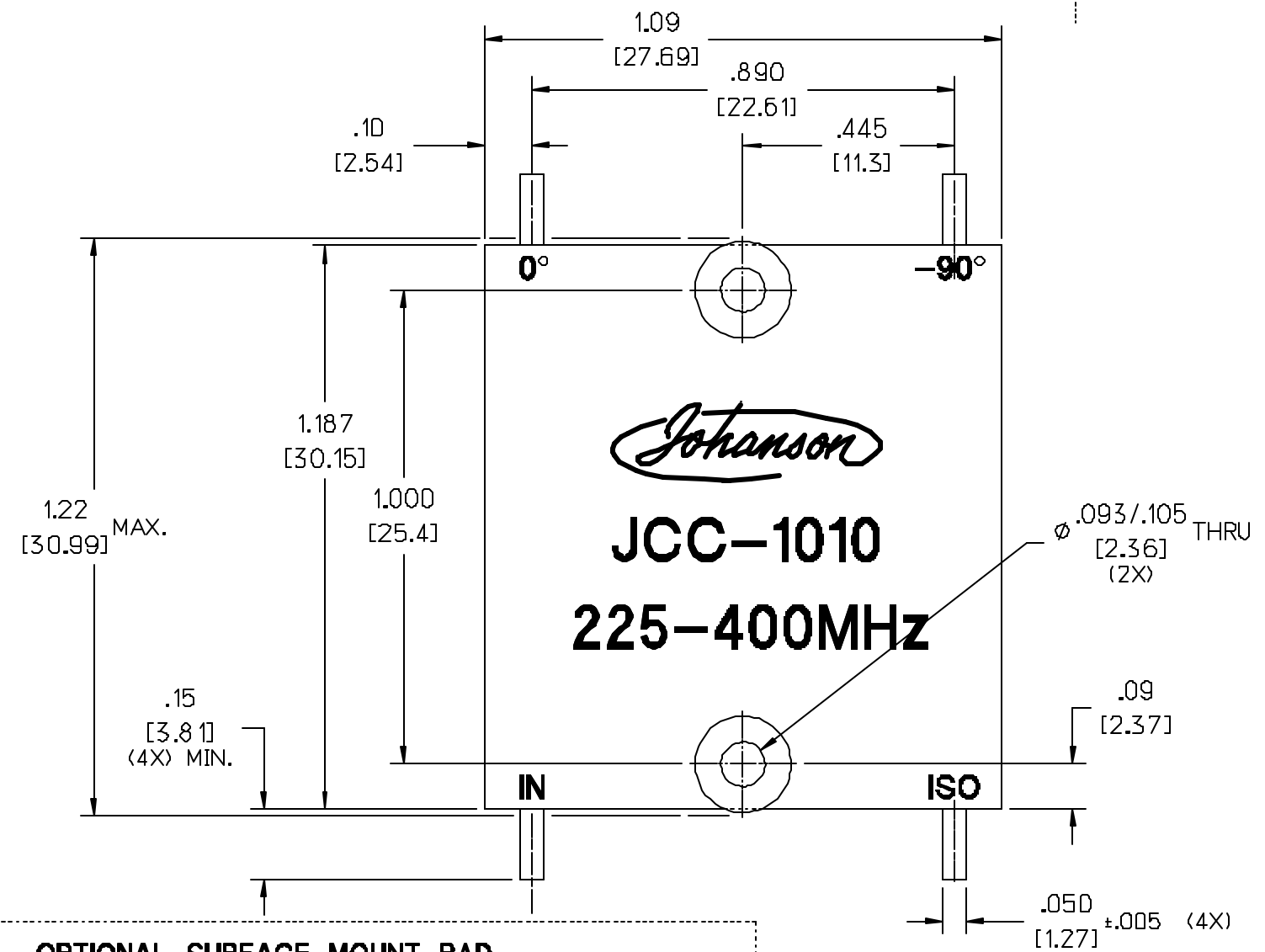


MI ORG.NO. JCC-1010C REV
JCC-1010 C

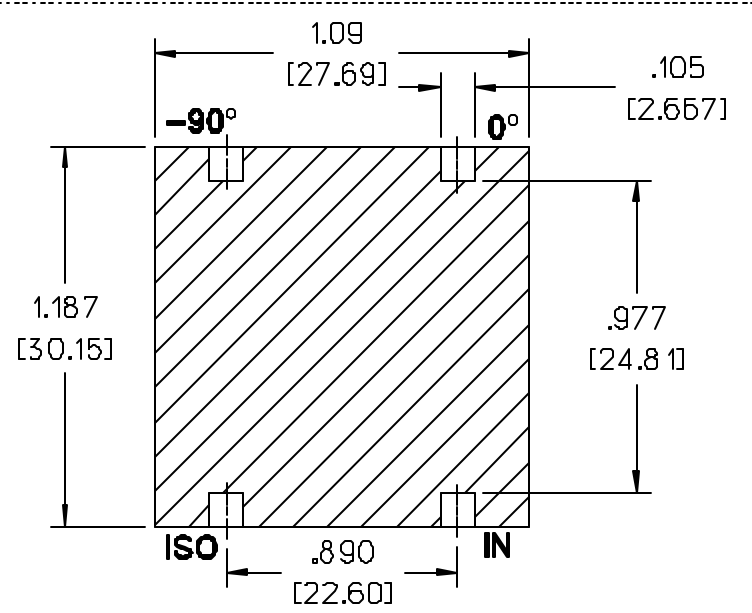
90° COUPLER, 225-400 MHz, 400W

ELECTRICAL SPECIFICATIONS:	FILE: COUPOUT
FREQUENCY:	225 -400 MHz
INSERTION LOSS:	<0.15 dB
VSWR:	<1.20: 1
ISOLATION:	>20 dB
AMPLITUDE BALANCE:	±0.50 dB
PHASE BALANCE:	±2.0°
POWER:	400 WATT
TEMPERATURE:	-55°C TO 85°C

- NOTES:
1. DIM'S ARE IN INCHES OVER (MILLIMETERS)
 2. RoHS COMPLIANT
 3. FINISH: CHEMICAL CONVERSION COAT (CLEAR) PER MIL-C-5541, CLASS 1A
 4. LEAD MATERIAL: 99.99% PURE SILVER .005" THICK



OPTIONAL SURFACE MOUNT PAD CONFIGURATION: PART# JCC-1010SM



PRELIMINARY

LEVEL	DATE	DRN.	CHK.	APP.	ECN
C	04/28/10	SDJ	SDJ	MAI	NONE
B	09/08/09	BFH	-	-	NONE
A	09/02/09	MAI	-	-	NONE

REVISIONS				
DRN.	CHK.	APP.	SCALE	
MAI	MAI	MAI	4" - 1"	
DATE	DATE	DATE	.XX±.02 [50]	
09/02/09	09/02/09	09/02/09	.XXX±.005 [127]	
			ANG ±1/2°	

Johanson
JOHANSON MANUFACTURING CORPORATION
 ROCKAWAY VALLEY ROAD, BOONTON, N.J. 07005 (973)334-2676 FAX (973)334-2954
 ELECTRONIC ACCURACY THROUGH MECHANICAL PRECISION

PROPRIETARY INFORMATION CONTAINED NOT TO BE USED WITHOUT JOHANSON MANUFACTURING CORPORATION APPROVAL