

# JCC-1009

## A

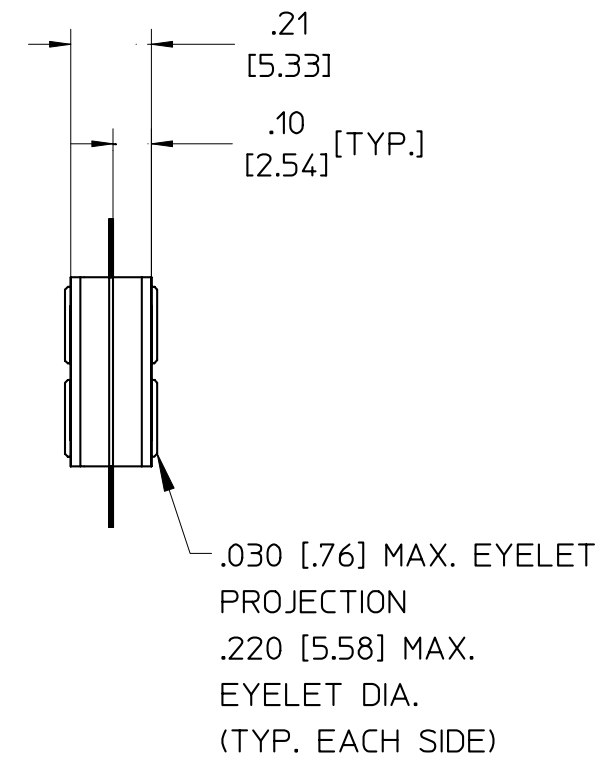
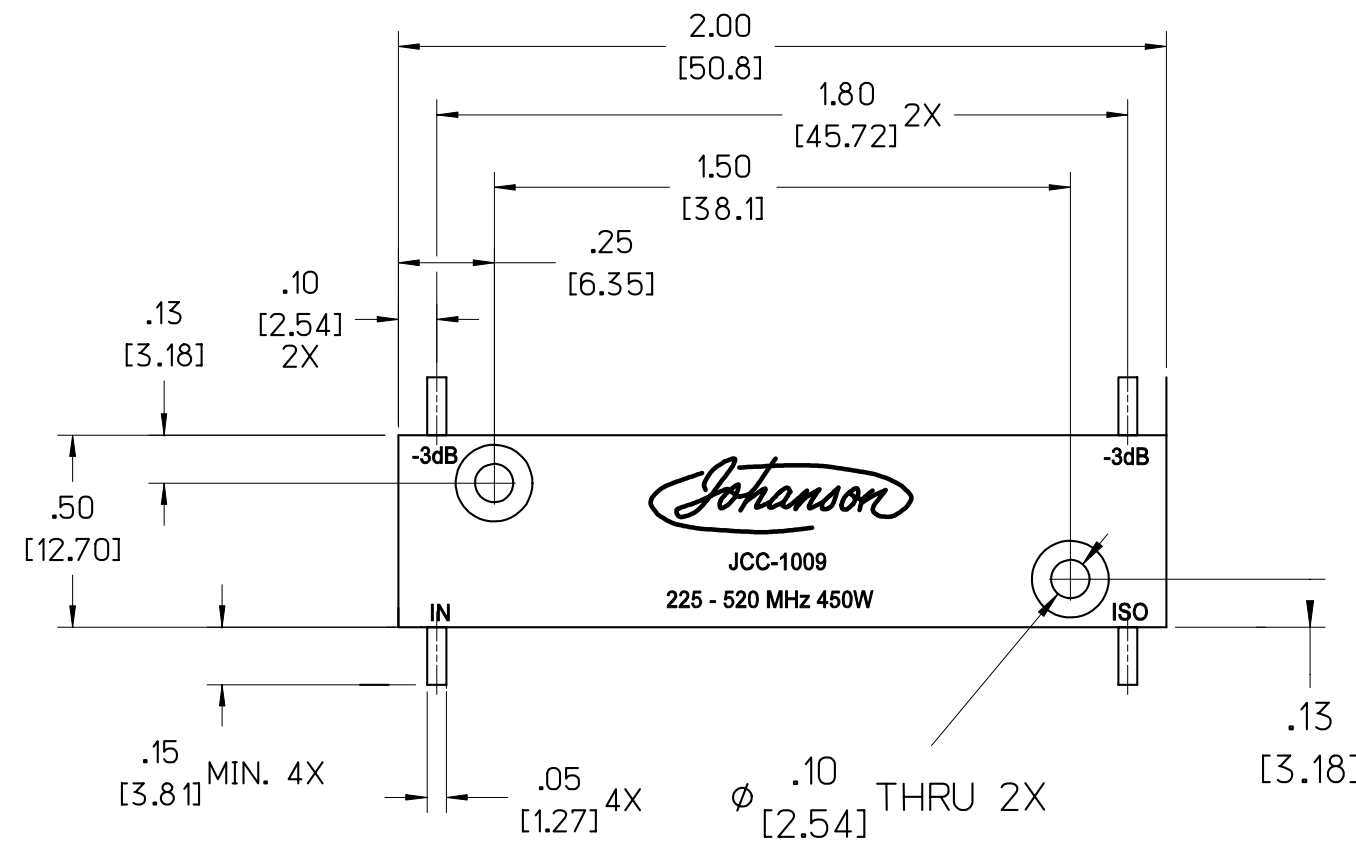
**COUPLER, 90°**  
**225 - 520 MHz. 450W**

ELECTRICAL SPECIFICATIONS: FILE: COUPOUT

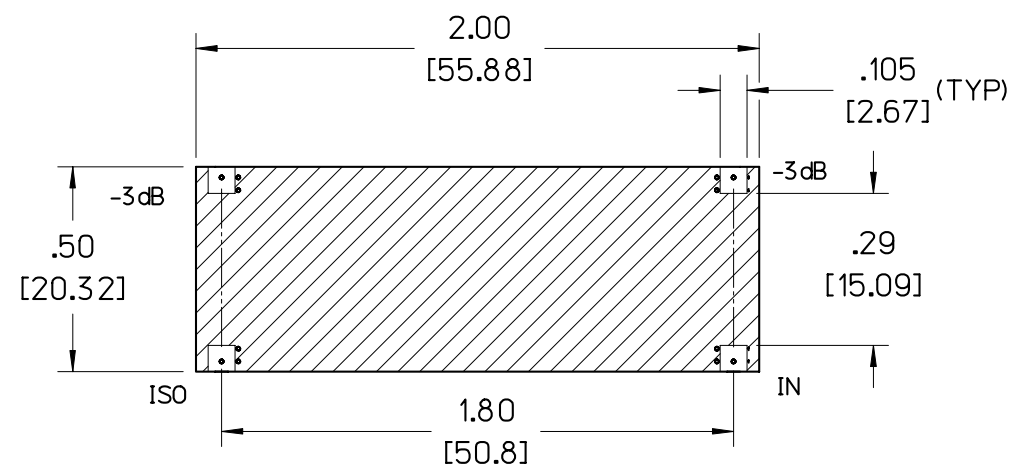
FREQUENCY:	225 - 520 MHz.
INSERTION LOSS:	<0.25dB
VSWR:	<1.25: 1
ISOLATION:	> 20B
AMPLITUDE BALANCE:	±0.70dB
PHASE BALANCE:	±5°
POWER:	450 WATT
TEMPERATURE:	-55°C TO 85°C

NOTES:

1. MATERIAL: AL, ALLOY, 6061-T6
2. FINISH: CHEM FILM, CLEAR, PER MIL-C-5541, CLASS 3
3. LEAD MATERIAL: 99.99% PURE SILVER .005" THICK
4. RoHS COMPLIANT



OPTIONAL SURFACE MOUNT PAD CONFIGURATION: PART# JCC-1009SM



**PRELIMINARY**

A	06/25/09	SAF	-	-	NONE
LEVEL	DATE	DRN.	CHK.	APP.	ECN
REVISIONS					
DRN.	DATE	CHK.	DATE	APP.	SCALE
SAF					2" = 1"
DATE	DATE	DATE			.XX ±.020 [508] .XXX ±.010 [254]
06/25/09					



**JOHANSON MANUFACTURING CORPORATION**  
 ROCKAWAY VALLEY ROAD, BOONTON, N.J. 07005 (973)334-2676 FAX (973)334-2954  
 ELECTRONIC ACCURACY THROUGH MECHANICAL PRECISION

PROPRIETARY INFORMATION CONTAINED NOT TO BE USED WITHOUT JOHANSON MANUFACTURING CORPORATION APPROVAL