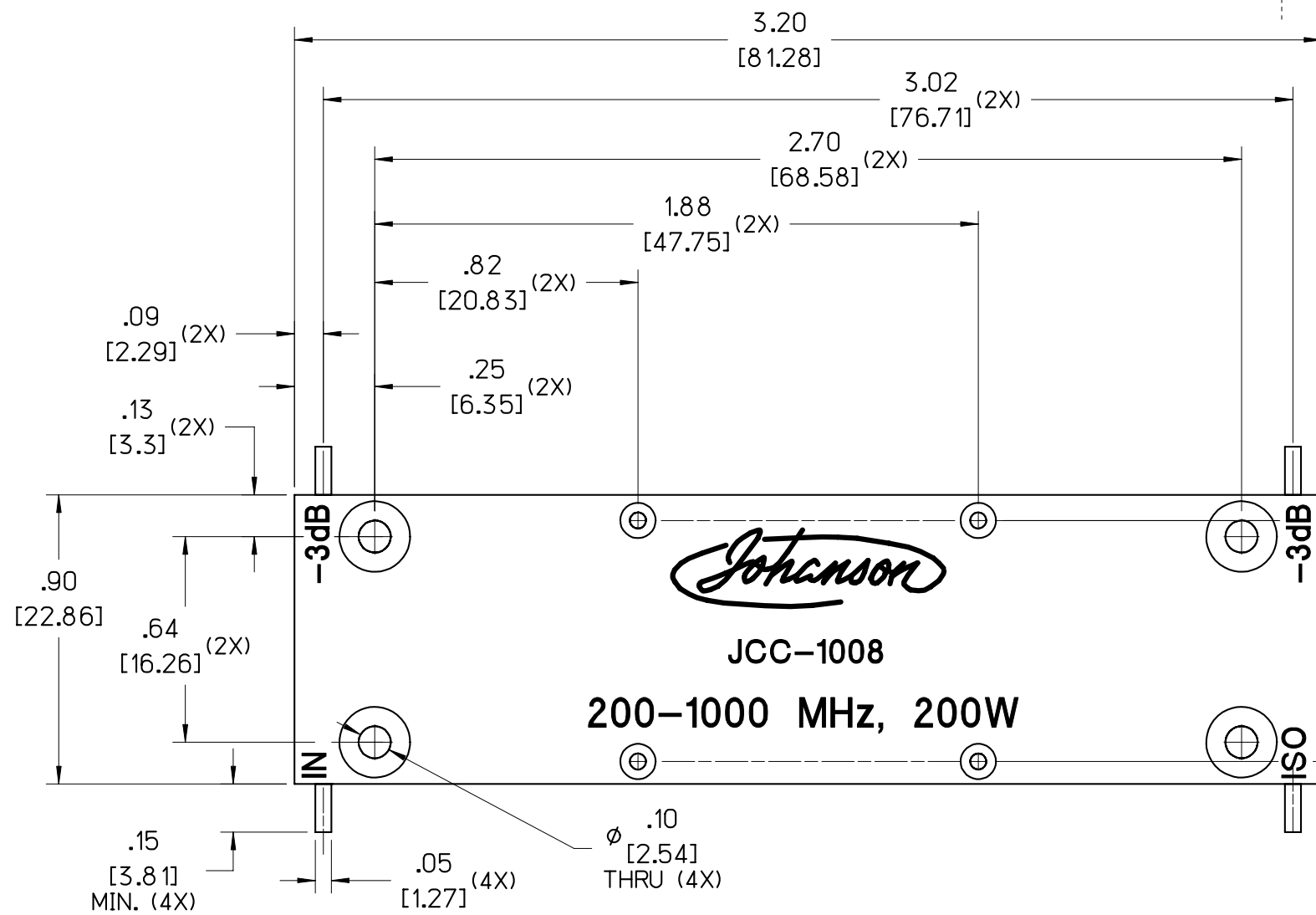


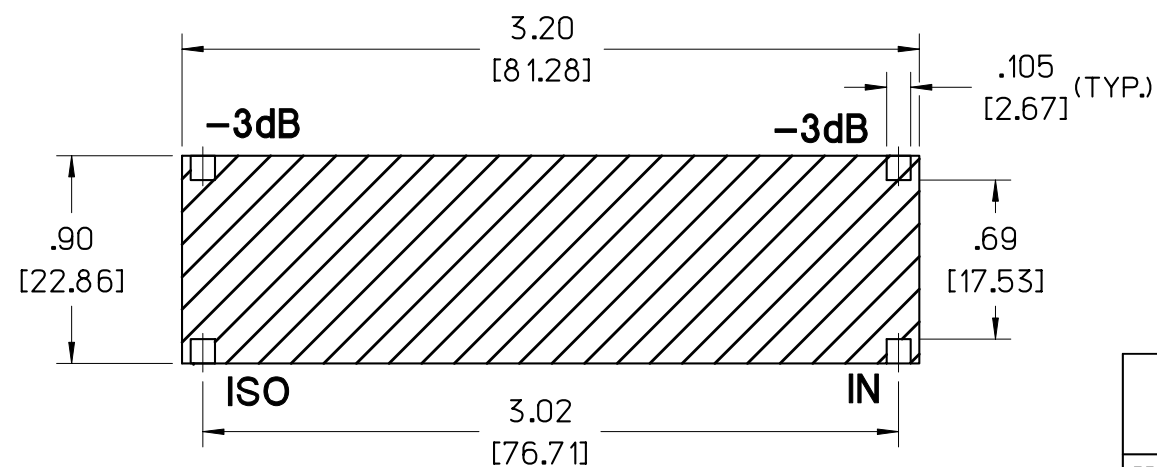
**90° COUPLER, 200-1000 MHz, 200W**

ELECTRICAL SPECIFICATIONS:		FILE: COUPOUT
FREQUENCY:	200 -1000 MHz	
INSERTION LOSS:	<0.50 dB	
VSWR:	<1.30 : 1	
ISOLATION:	>16 dB	
AMPLITUDE BALANCE:	±0.75 dB	
PHASE BALANCE:	±5°	
POWER:	200 WATT	
TEMPERATURE:	-55°C TO 85°C	

- NOTES:
1. LEAD MATERIAL: 99.99% PURE SILVER  
.005" THICK
  2. RoHS COMPLIANT.
  3. MATERIAL: AL. ALLOY, 6061-T6.
  4. FINISH: CHEM FILM, CLEAR PER MIL-C-5541, CLASS 3.



OPTIONAL SURFACE MOUNT PAD  
CONFIGURATION: PART# JCC-1008SM



**JOHANSON MANUFACTURING CORPORATION**  
ROCKAWAY VALLEY ROAD, BOONTON, N.J. 07005 (973)334-2676 FAX (973)334-2954  
ELECTRONIC ACCURACY THROUGH MECHANICAL PRECISION  
PROPRIETARY INFORMATION CONTAINED NOT TO BE USED WITHOUT JOHANSON MANUFACTURING CORPORATION APPROVAL

**PRELIMINARY**

LEVEL	DATE	DRN.	CHK.	APP.	ECN
A	06/29/09	-	-	-	NONE
REVISIONS					
DRN.	CHK.	APP.	SCALE		
BFH			2 = 1		
DATE	DATE	DATE	.XX±.02 [50] .XXX±.005 [127] ANG ±1/2°		
06/29/09					