

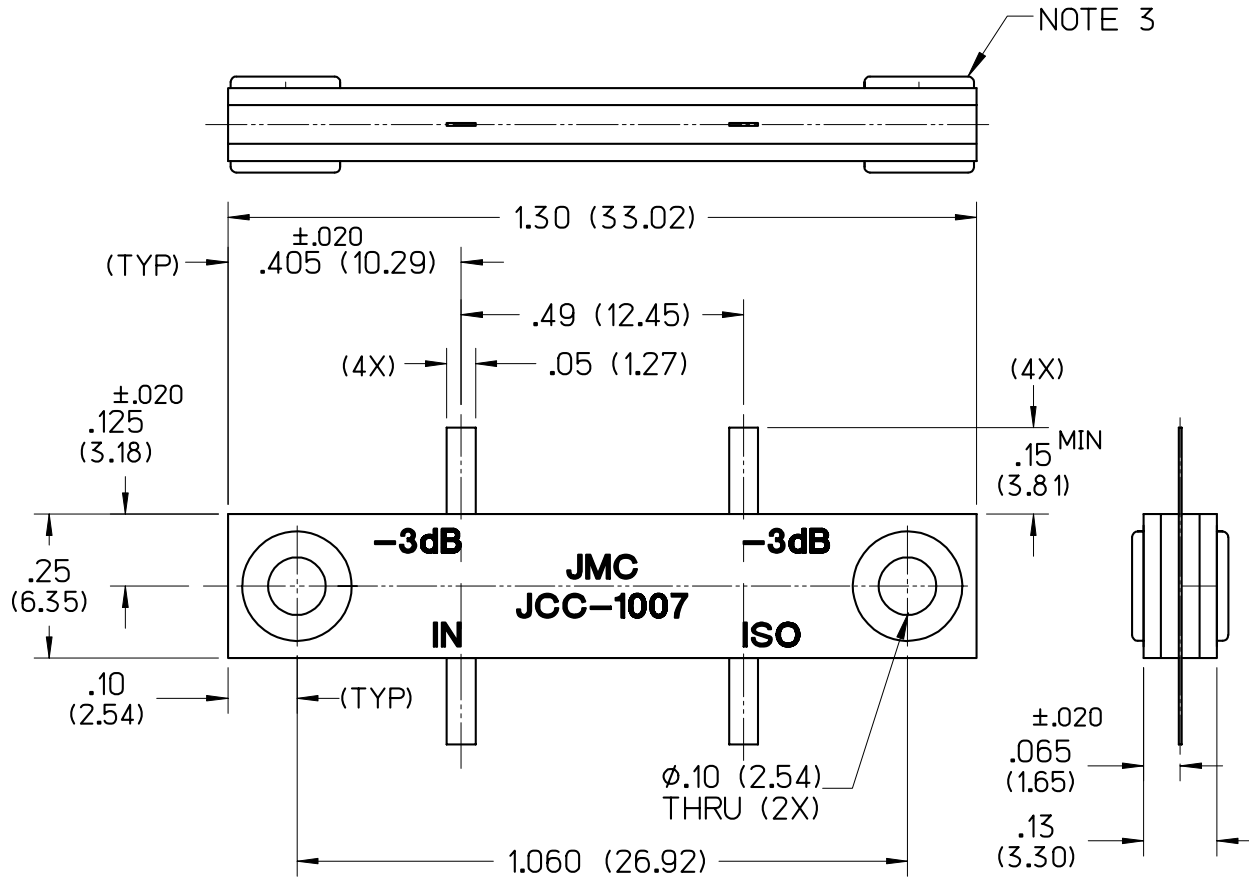
JCC-1007X A

COUPLER, 90°, 2.0 - 6.0 GHz, 150W

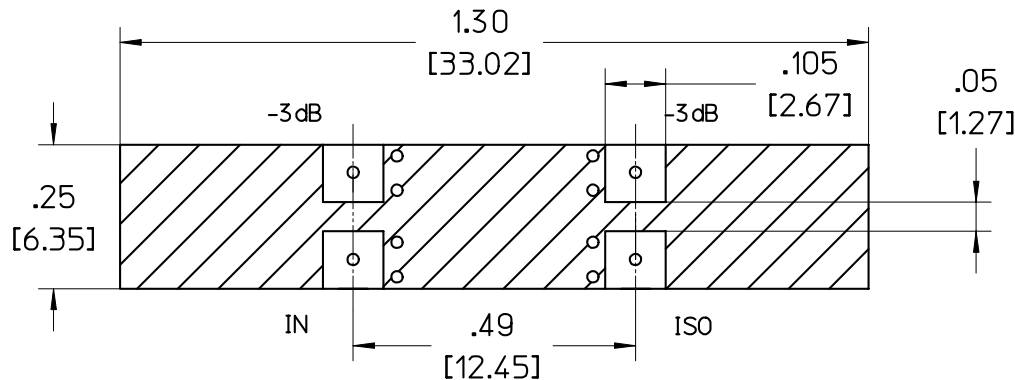
SPECIFICATIONS		FILE: COUPOUT
FREQUENCY	2.0 - 6.0 GHz	
INSERTION LOSS	< 0.3 dB	
VSWR	< 1.30:1	
ISOLATION	> 18 dB	
AMPLITUDE BALANCE	±1.0 dB	
PHASE BALANCE	±5°	
POWER	150 WATT	
TEMPERATURE	-55°C TO 85°C	

- NOTES:
1. LEAD MATERIAL 99.99% PURE SILVER .005 IN. THK
 2. RoHS COMPLIANT
 3. .03 (.76) MAX EYELET PROJECTION
.22 (5.59) MAX EYELET DIAMETER (TYP EACH SIDE)
 4. DIMENSIONS - INCHES
DIMENSIONS - (mm) & ARE FOR REFERENCE
 5. COUPLER MOUNTING (REF):
#2(.086)-56 UNC SCREW (3X)

PRELIMINARY



OPTIONAL SURFACE MOUNT PAD CONFIGURATION: PART# JCC-1007XSM



A	02/09/10	MAI	-	-	NONE
LEVEL	DATE	DRN.	CHK.	APP.	ECN

REVISIONS

DRN.	CHK.	APP.	SCALE
MAI	—	—	3" = 1"
DATE	DATE	DATE	.XX ±.02 (.50)
02/09/10	—	—	.XXX±.005(.127)



JOHANSON MANUFACTURING CORPORATION
 ROCKAWAY VALLEY ROAD, BOONTON, N.J. 07005 (973)334-2676 FAX (973)334-2954
 ELECTRONIC ACCURACY THROUGH MECHANICAL PRECISION