

MI DRG. NO.

JCC-1007D

REV.

JCC-1007 D

COUPLER, 90°, 2.0 - 6.0 GHz, 150W

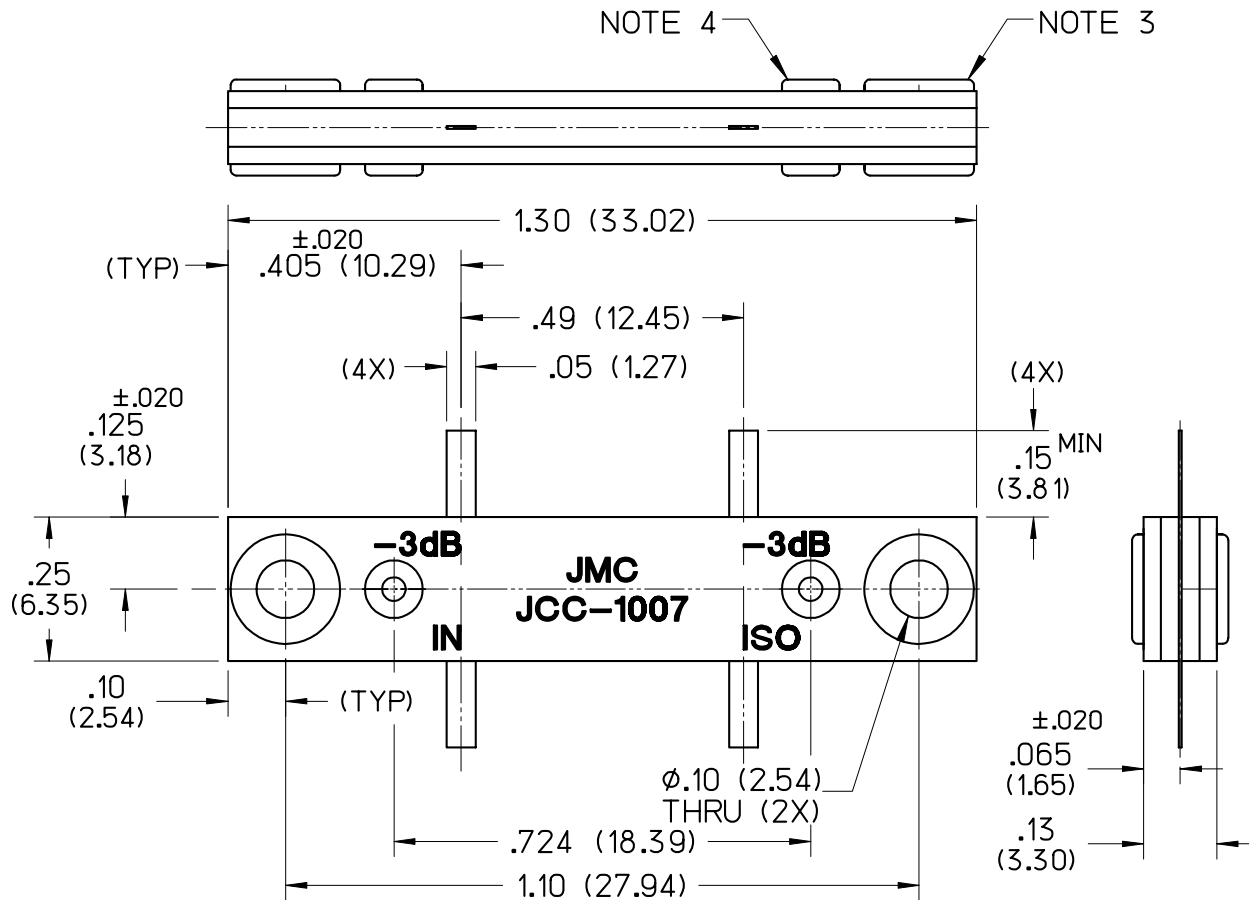
SPECIFICATIONS		FILE: COUPOUT
FREQUENCY	2.0 - 6.0 GHz	
INSERTION LOSS	< 0.3 dB	
VSWR	< 1.30:1	
ISOLATION	> 18 dB	
AMPLITUDE BALANCE	±1.0 dB	
PHASE BALANCE	±5°	
POWER	150 WATT	
TEMPERATURE	-55°C TO 85°C	

- NOTES:
- LEAD MATERIAL 99.99% PURE SILVER .005 IN. THK
 - RoHS COMPLIANT
 - .03 (.76) MAX EYELET PROJECTION
.22 (5.59) MAX EYELET DIAMETER (TYP EACH SIDE)
 - .03 (.76) MAX EYELET PROJECTION
.11 (5.59) MAX EYELET DIAMETER (TYP EACH SIDE)
 - DIMENSIONS - INCHES
DIMENSIONS - (mm) & ARE FOR REFERENCE
 - COUPLER MOUNTING (REF):
#2(.086)-56 UNC SCREW (3X)

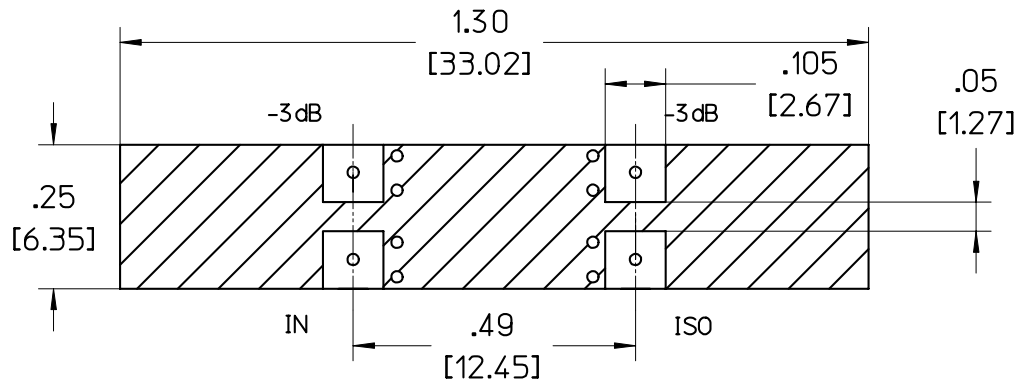
PRELIMINARY

D	02/05/10	MAI	-	-	NONE
C	11/09/09	SDJ	-	-	NONE
B	6/29/09	SAF	-	-	NONE
A	6/24/09	RJV	-	-	NONE
LEVEL	DATE	DRN.	CHK.	APP.	ECN

REVISIONS			
DRN.	CHK.	APP.	SCALE
RJV	—	—	3" = 1"
DATE	DATE	DATE	.XX ±.02 (.50)
6/24/09	—	—	.XXX±.005(.127)



OPTIONAL SURFACE MOUNT PAD CONFIGURATION: PART# JCC-1007SM



JOHANSON MANUFACTURING CORPORATION
 ROCKAWAY VALLEY ROAD, BOONTON, N.J. 07005 (973)334-2676 FAX (973)334-2954
 ELECTRONIC ACCURACY THROUGH MECHANICAL PRECISION

PROPRIETARY INFORMATION CONTAINED NOT TO BE USED WITHOUT JOHANSON MANUFACTURING CORPORATION APPROVAL