

JCC-1006-2 A

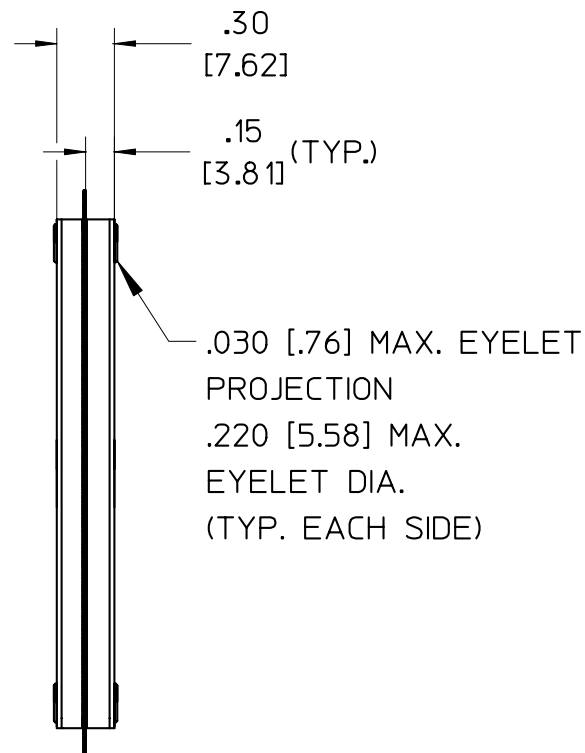
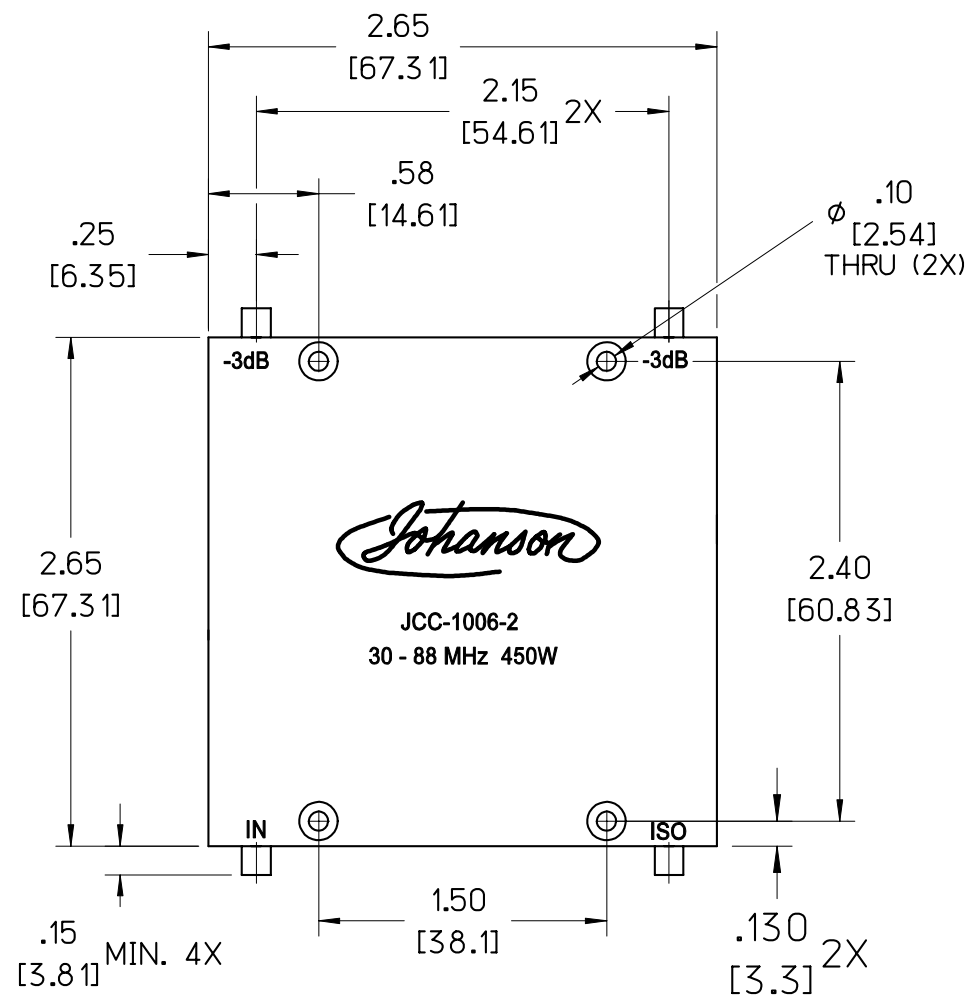
COUPLER, 90°
30 - 88 MHz. 450W

ELECTRICAL SPECIFICATIONS: FILE: COUPOUT

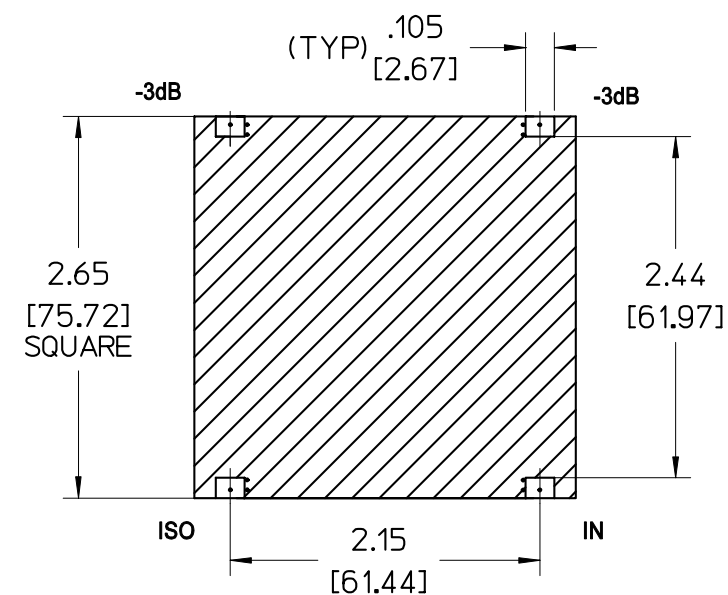
FREQUENCY:	30 - 88 MHz.
INSERTION LOSS:	<0.25dB
VSWR:	<1.30: 1
ISOLATION:	> 18B
AMPLITUDE BALANCE:	±0.95dB
PHASE BALANCE:	±5°
POWER:	450 WATT
TEMPERATURE:	-55°C TO 85°C

NOTES:

1. MATERIAL: AL, ALLOY, 6061-T6
2. FINISH: CHEM FILM, CLEAR, PER MIL-C-5541, CLASS 3
3. LEAD MATERIAL: 99.99% PURE SILVER .005" THICK
4. RoHS COMPLIANT



OPTIONAL SURFACE MOUNT PAD
CONFIGURATION: PART# JCC-1006-2SM



PRELIMINARY

A	06/25/09	SAF	-	-	NONE
LEVEL	DATE	DRN.	CHK.	APP.	ECN

REVISIONS

DRN.	CHK.	APP.	SCALE
SAF			1" = 1"
DATE	DATE	DATE	.XX ±.020 [.508]
06/25/09			.XXX ±.010 [.254]



JOHANSON MANUFACTURING CORPORATION
 ROCKAWAY VALLEY ROAD, BOONTON, N.J. 07005 (973)334-2676 FAX (973)334-2954
 ELECTRONIC ACCURACY THROUGH MECHANICAL PRECISION

PROPRIETARY INFORMATION CONTAINED NOT TO BE USED WITHOUT JOHANSON MANUFACTURING CORPORATION APPROVAL