

**90° COUPLER, 300-500 MHz, 400W**

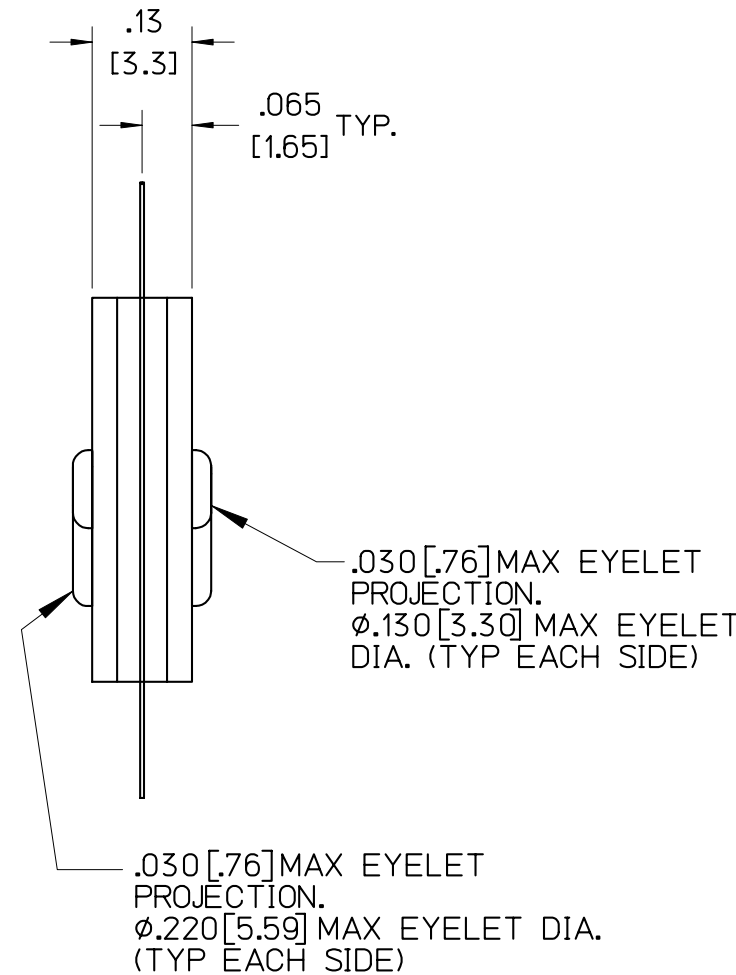
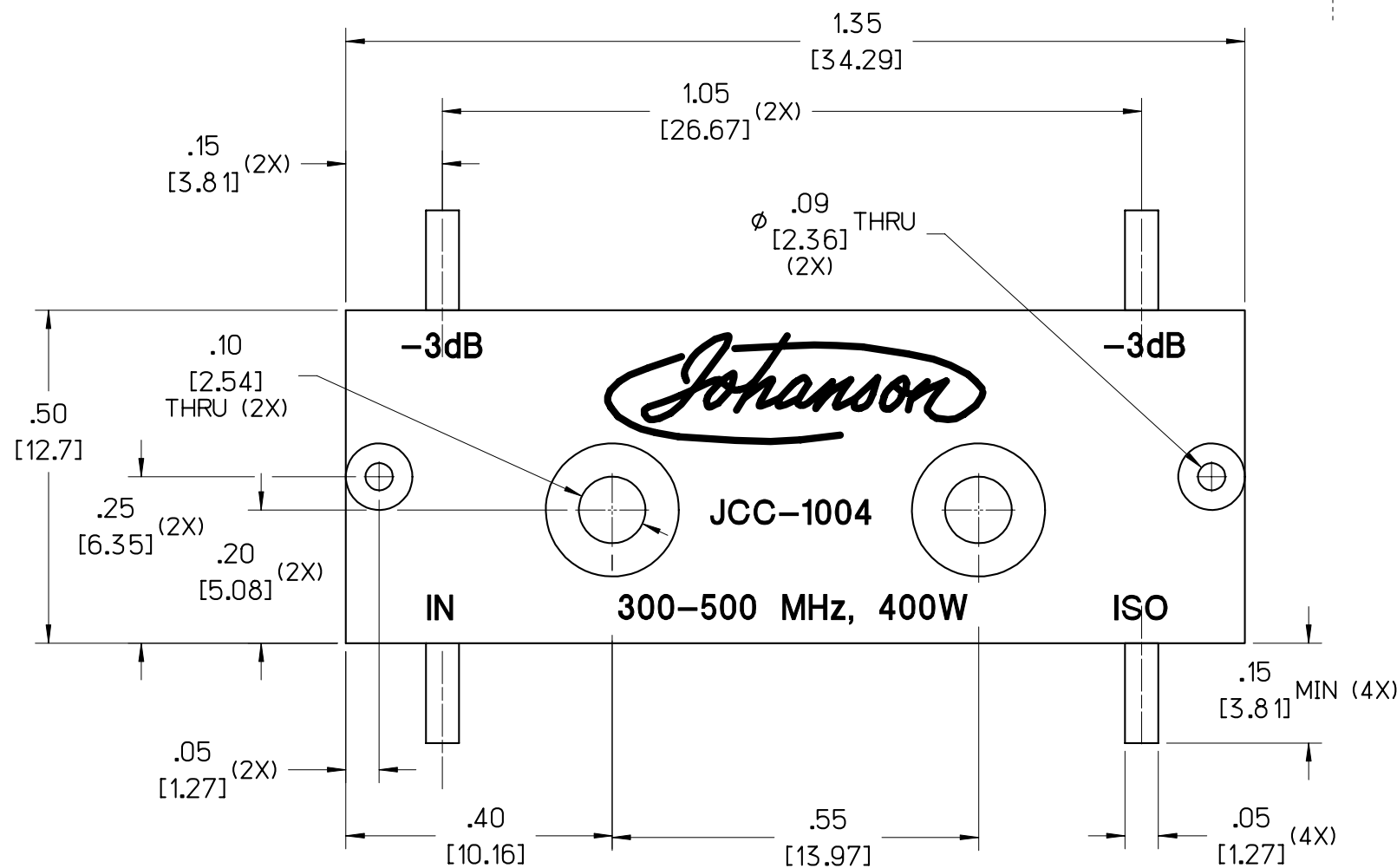
ELECTRICAL SPECIFICATIONS: FILE: COUPOUT

FREQUENCY:	300 -500 MHz
INSERTION LOSS:	<0.20 dB
VSWR:	<1.20 : 1
ISOLATION:	>21 dB
AMPLITUDE BALANCE:	±0.40 dB
PHASE BALANCE:	±5°
POWER:	400 WATT
TEMPERATURE:	-55°C TO 85°C

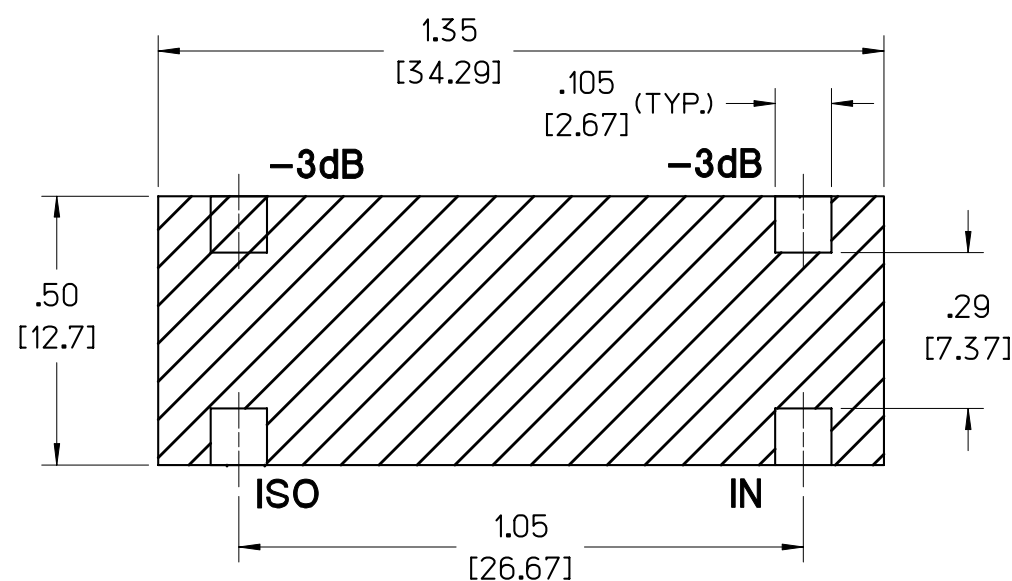
NOTES:

1. LEAD MATERIAL: 99.99% PURE SILVER .005" THICK
2. SEE 90°APPLICATION NOTE FOR FURTHER INFORMATION.
3. RoHS COMPLIANT.
4. MATERIAL: AL. ALLOY, 6061-T6.
5. FINISH: CHEM FILM, CLEAR, PER MIL-C-5541, CLASS3.

**PRELIMINARY**



OPTIONAL SURFACE MOUNT PAD CONFIGURATION: PART# JCC-1004SM



**JOHANSON MANUFACTURING CORPORATION**  
 ROCKAWAY VALLEY ROAD, BOONTON, N.J. 07005 (973)334-2676 FAX (973)334-2954  
 ELECTRONIC ACCURACY THROUGH MECHANICAL PRECISION

PROPRIETARY INFORMATION CONTAINED NOT TO BE USED WITHOUT JOHANSON MANUFACTURING CORPORATION APPROVAL

A	06/29/09	-	-	-	NONE
LEVEL	DATE	DRN.	CHK.	APP.	ECN
REVISIONS					
DRN.	CHK.	APP.	SCALE		
BFH			4" = 1"		
DATE	DATE	DATE	.XX±.02 [50] .XXX±.005 [127] ANG ±1/2°		
06/29/09					