

**90° COUPLER, 225-400 MHz, 400W**

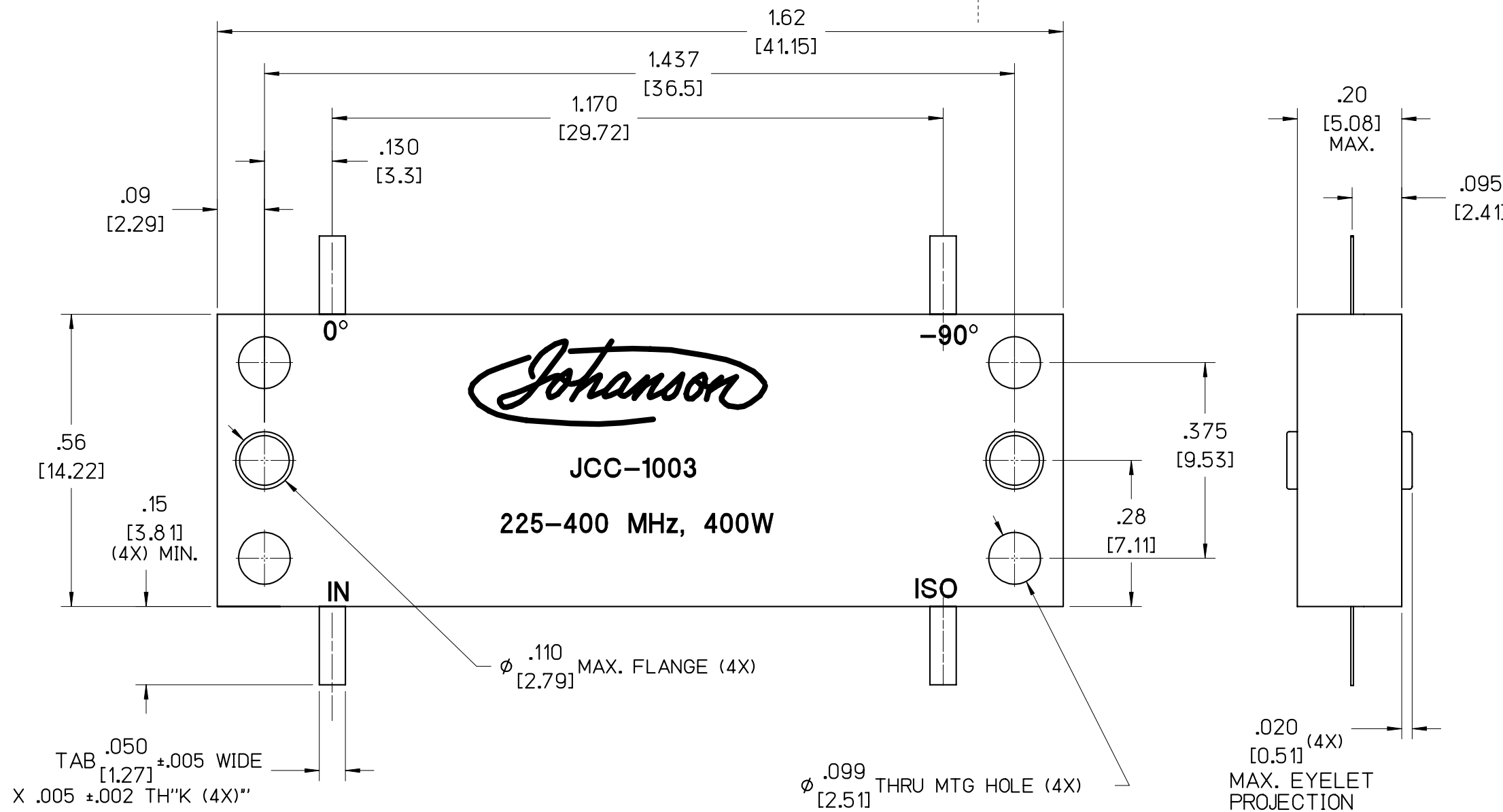
ELECTRICAL SPECIFICATIONS: FILE: COUPOUT

FREQUENCY:	225 -400 MHz
INSERTION LOSS:	<0.15 dB
VSWR:	<1.20: 1
ISOLATION:	>21 dB
AMPLITUDE BALANCE:	±0.50 dB
PHASE BALANCE:	±2.0°
POWER:	400 WATT
TEMPERATURE:	-55°C TO 85°C

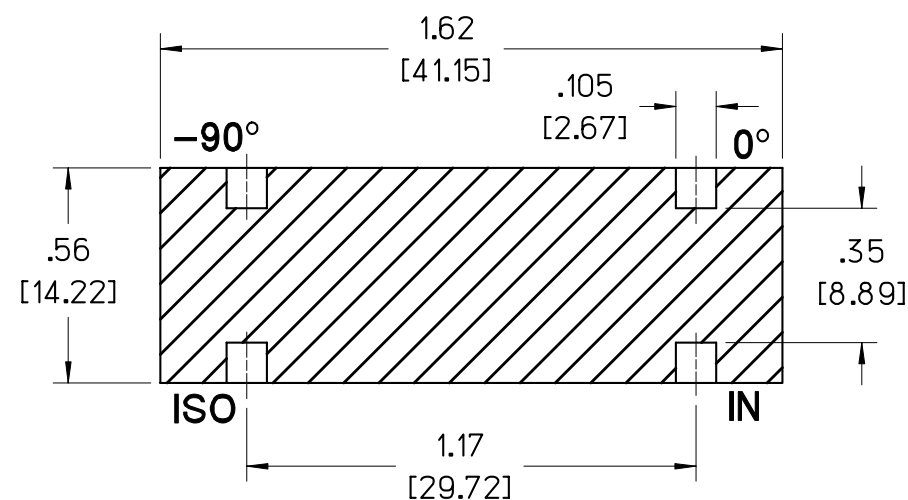
NOTES:

- DIM'S ARE IN INCHES OVER (MILLIMETERS)
- RoHS COMPLIANT
- FINISH: CHEMICAL CONVERSION COAT (CLEAR) PER MIL-C-5541, CLASS 1A
- LEAD MATERIAL: 99.99% PURE SILVER .005" THICK

**PRELIMINARY**



**OPTIONAL SURFACE MOUNT PAD CONFIGURATION: PART# JCC-1003SM**



**Johanson**  
**JOHANSON MANUFACTURING CORPORATION**  
 ROCKAWAY VALLEY ROAD, BOONTON, N.J. 07005 (973)334-2676 FAX (973)334-2954  
 ELECTRONIC ACCURACY THROUGH MECHANICAL PRECISION  
 PROPRIETARY INFORMATION CONTAINED NOT TO BE USED WITHOUT JOHANSON MANUFACTURING CORPORATION APPROVAL

A	06/29/09	-	-	-	NONE
LEVEL	DATE	DRN.	CHK.	APP.	ECN
REVISIONS					
DRN.	CHK.	APP.	SCALE		
BFH			4" = 1"		
DATE	DATE	DATE	.XX±.02 [50] .XXX±.005 [127] ANG ±1/2°		
06/29/09					