

# JCC-1002

90° COUPLER, 120-230 MHz, 400W

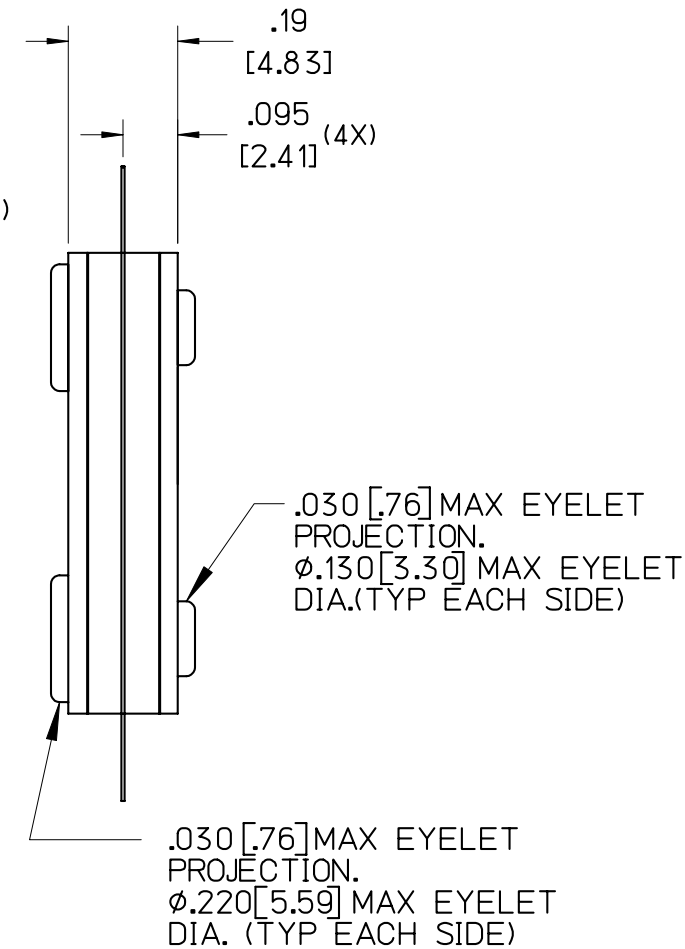
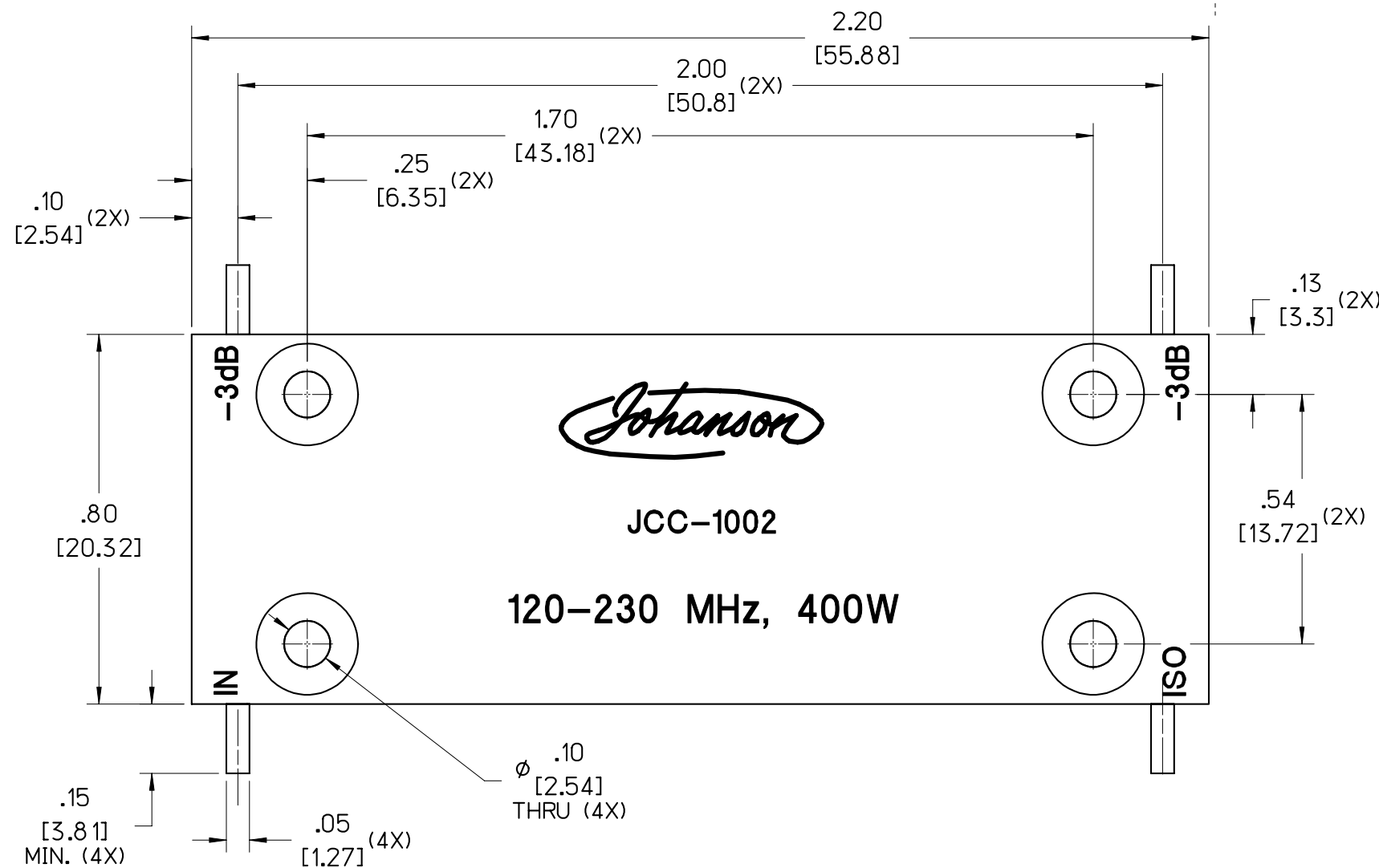
ELECTRICAL SPECIFICATIONS: FILE: COUPOUT

FREQUENCY:	120 -230 MHz
INSERTION LOSS:	<0.15 dB
VSWR:	<1.20 : 1
ISOLATION:	>20 dB
AMPLITUDE BALANCE:	±0.15 dB
PHASE BALANCE:	±3°
POWER:	400 WATT
TEMPERATURE:	-55°C TO 85°C

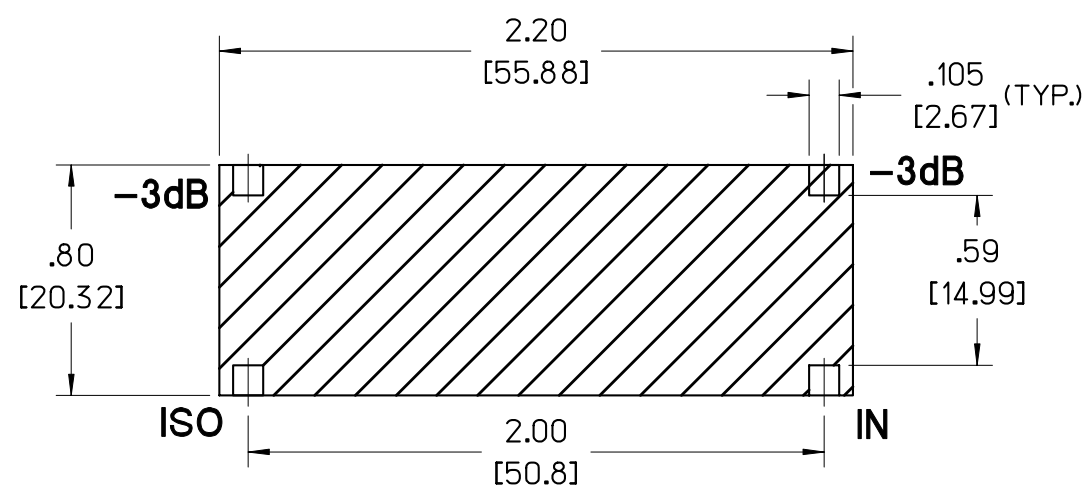
NOTES:

1. LEAD MATERIAL: 99.99% PURE SILVER .005" THICK
2. RoHS COMPLIANT.
3. MATERIAL: AL. ALLOY, 6061-T6
4. FINISH: CHEM FILM ,CLEAR, PER MIL-C-5541, CLASS 3.

**PRELIMINARY**



OPTIONAL SURFACE MOUNT PAD  
CONFIGURATION: PART# JCC-1002SM



**JOHANSON MANUFACTURING CORPORATION**  
ROCKAWAY VALLEY ROAD, BOONTON, N.J. 07005 (973)334-2676 FAX (973)334-2954  
ELECTRONIC ACCURACY THROUGH MECHANICAL PRECISION

PROPRIETARY INFORMATION CONTAINED NOT TO BE USED WITHOUT JOHANSON MANUFACTURING CORPORATION APPROVAL

A	06/29/09	-	-	-	NONE
LEVEL	DATE	DRN.	CHK.	APP.	ECN
REVISIONS					
DRN.	CHK.	APP.	SCALE		
BFH			3" = 1"		
DATE	DATE	DATE	.XX±.02 [50]		
06/29/09			.XXX±.005 [127]		
			ANG ±1/2°		