

JCC-1001 B

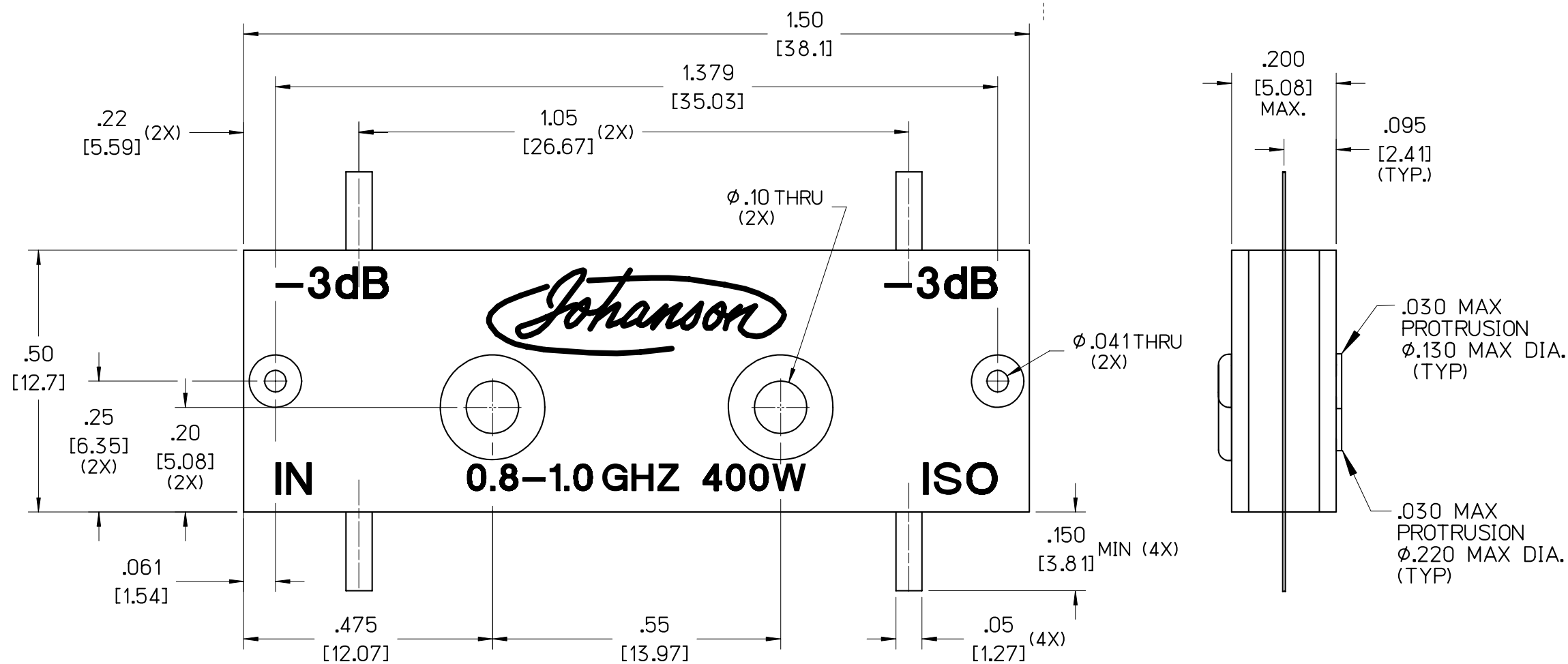
90° COUPLER, 800-1000 MHz, 400W

ELECTRICAL SPECIFICATIONS: FILE: COUPOUT

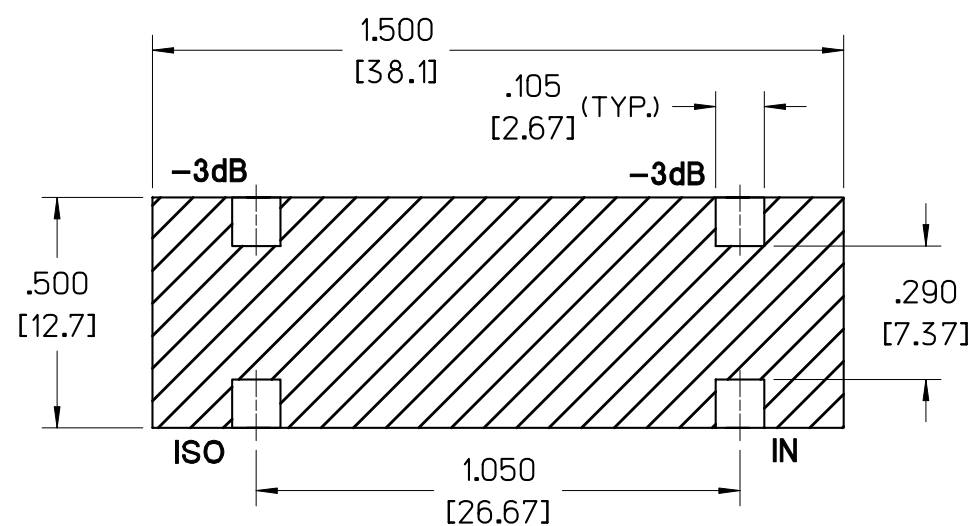
FREQUENCY:	800 - 1000 MHz
INSERTION LOSS:	<0.2 dB
VSWR:	<1.15 : 1
ISOLATION:	>24 dB
AMPLITUDE BALANCE:	±0.15 dB
PHASE BALANCE:	±1°
POWER:	400 WATT
TEMPERATURE:	-55°C TO 85°C

NOTES:

1. LEAD MATERIAL: 99.99% PURE SILVER .005" THICK
2. RoHS COMPLIANT.
4. MATERIAL: AL. ALLOY, 6061-T6
5. FINISH: CHEM FILM ,CLEAR, PER MIL-C-5541, CLASS 3.



OPTIONAL SURFACE MOUNT PAD
CONFIGURATION: PART# JCC-1001SM



PRELIMINARY

Johanson
JOHANSON MANUFACTURING CORPORATION
 ROCKAWAY VALLEY ROAD, BOONTON, N.J. 07005 (973)334-2676 FAX (973)334-2954
 ELECTRONIC ACCURACY THROUGH MECHANICAL PRECISION

PROPRIETARY INFORMATION CONTAINED NOT TO BE USED WITHOUT JOHANSON MANUFACTURING CORPORATION APPROVAL

B	07/07/09				NONE
A	06/04/09	-	-	-	000773
LEVEL	DATE	DRN.	CHK.	APP.	ECN

REVISIONS

DRN.	CHK.	APP.	SCALE
BFH	MAI	MAI	4" = 1"
DATE	DATE	DATE	.XX±.02 [50] .XXX±.005 [127] ANG ±1/2°
06/04/09	06/05/09	06/05/09	