

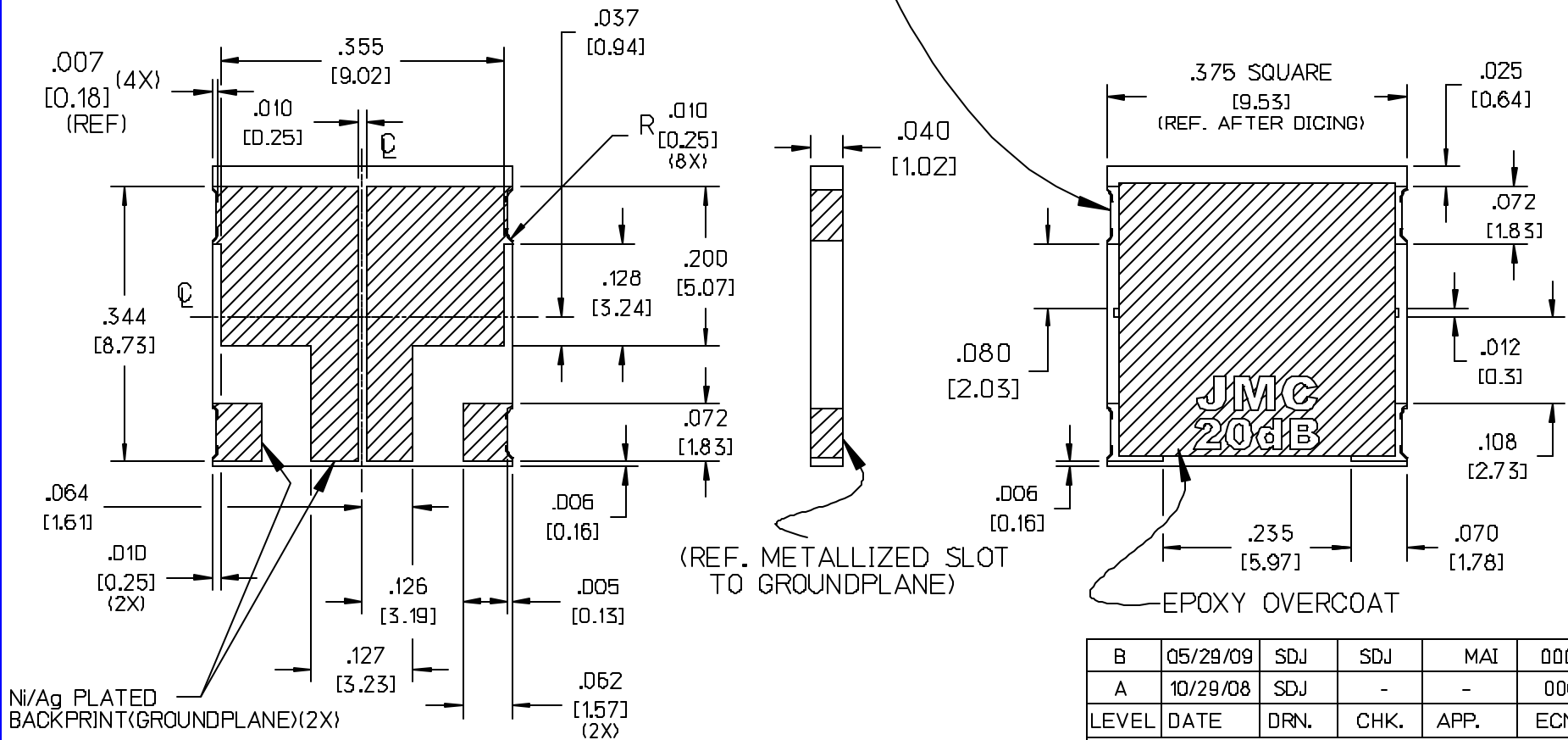
# SA3737C0207C

# B

## SURFACE MOUNT ATTENUATOR, $Al_2O_3$

SPECIFICATIONS	FILE ATTCUT
POWER MAX (WATTS)	30 CW
ATTENUATION	20dB ( $\pm 0.5$ dB)
DC TO 3.5GHz	1.19:1

DIMENSIONS IN BRACKETS IN [mm]



LEVEL	DATE	DRN.	CHK.	APP.	ECN
B	05/29/09	SDJ	SDJ	MAI	000771
A	10/29/08	SDJ	-	-	000726

REVISIONS

DRN.	CHK.	APP.	SCALE
SDJ	SDJ	MAI	4.9" - 1"
DATE	DATE	DATE	.XX $\pm$ .015 [3.81]
10/29/08	10/29/08	10/30/08	.XXX $\pm$ .005 [2.54]



**JOHANSON MANUFACTURING CORPORATION**

ROCKAWAY VALLEY ROAD, BOONTON, N.J. 07005 (973)334-2576 FAX (973)334-2954  
 ELECTRONIC ACCURACY THROUGH MECHANICAL PRECISION