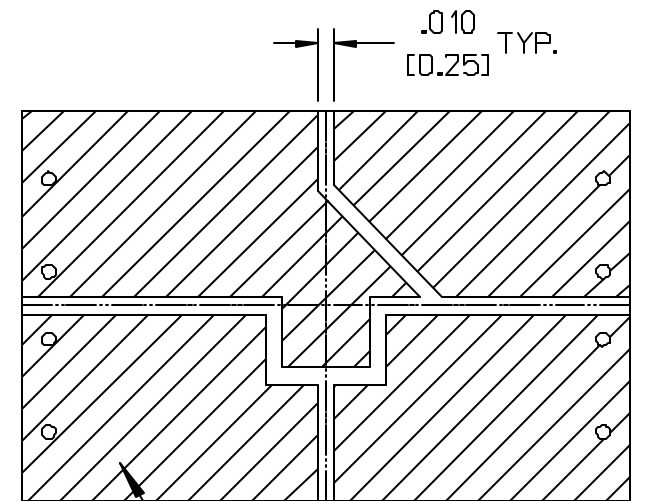
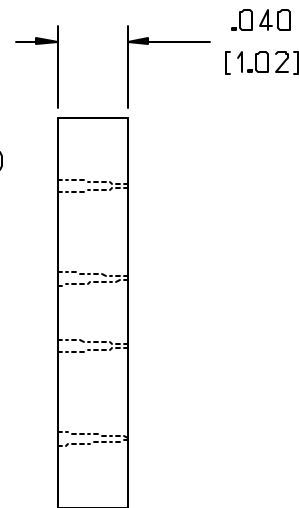
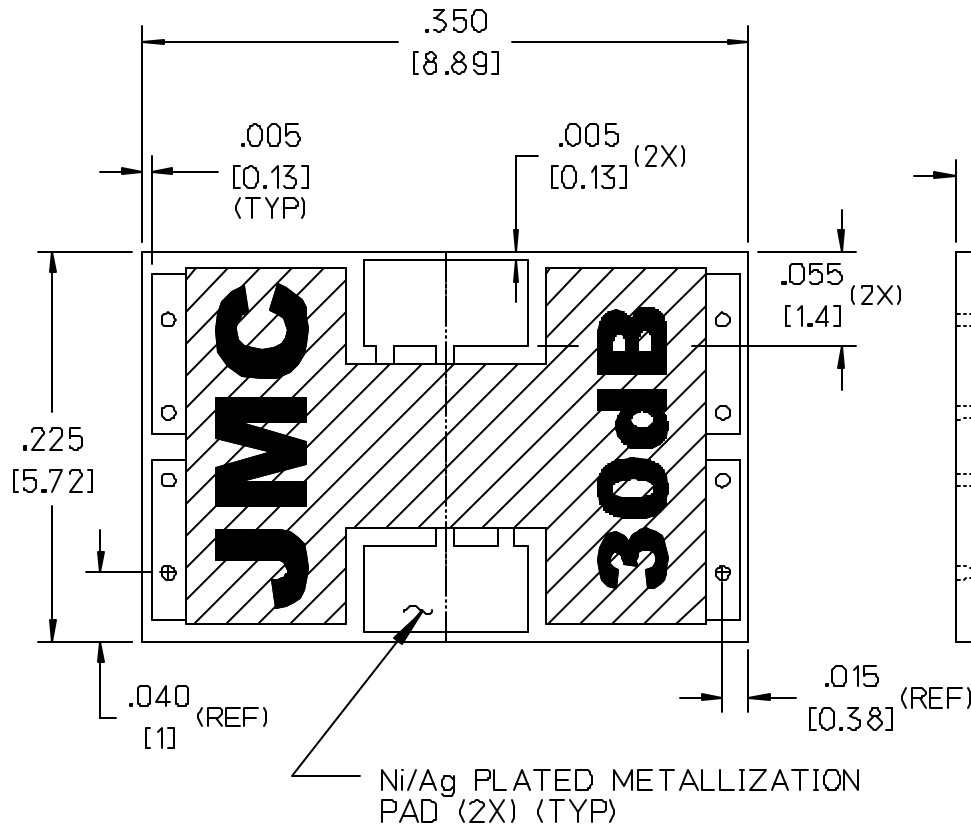


CA2335A0308C

D

CHIP ATTENUATOR, HIGH POWER, ALN

SPECIFICATIONS		FILE	ATTNOUT
POWER MAX (WATTS):		150	CW
ATTENUATION		3.0	dB (±1.0 dB)
FREQUENCY		VSWR	
DC - 2500MHz		1.2	1
DIMENSIONS IN BRACKETS IN [mm]			



LEVEL	DATE	DRN.	CHK.	APP.	ECN
D	06/09/09	SDJ	SDJ	MAI	000775
C	12/05/08	SDJ	SDJ	MAI	000740
B	10/07/08	MLD	MAI	MAI	000719
A	10/06/08	MAI	-	-	000717

REVISIONS

DRN.	CHK.	APP.	SCALE
MAI	MAI	MAI	4" - 1"
DATE	DATE	DATE	XX±.015 [381]
10/06/08	10/06/08	10/06/08	.XX±.010 [254]



JOHANSON MANUFACTURING CORPORATION
 ROCKAWAY VALLEY ROAD, BOONTON, N.J. 07005 (973)534-2676 FAX (973)534-2954
 ELECTRONIC ACCURACY THROUGH MECHANICAL PRECISION