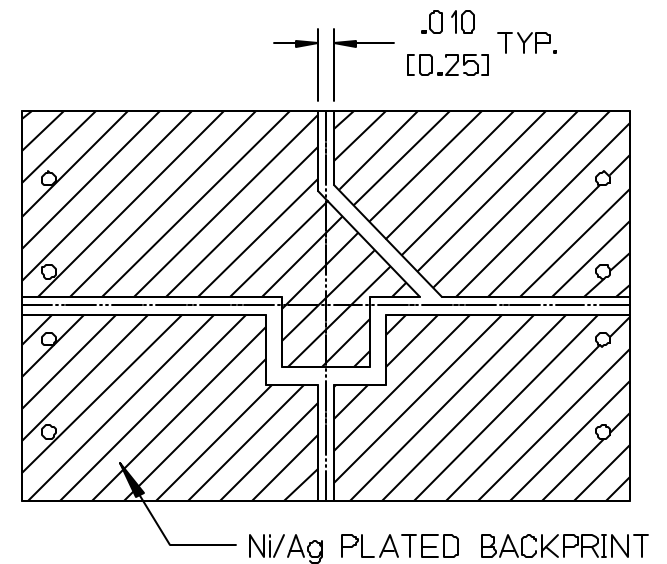
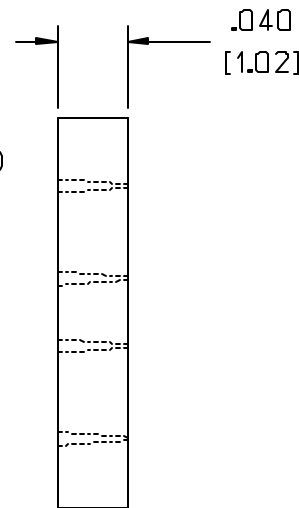
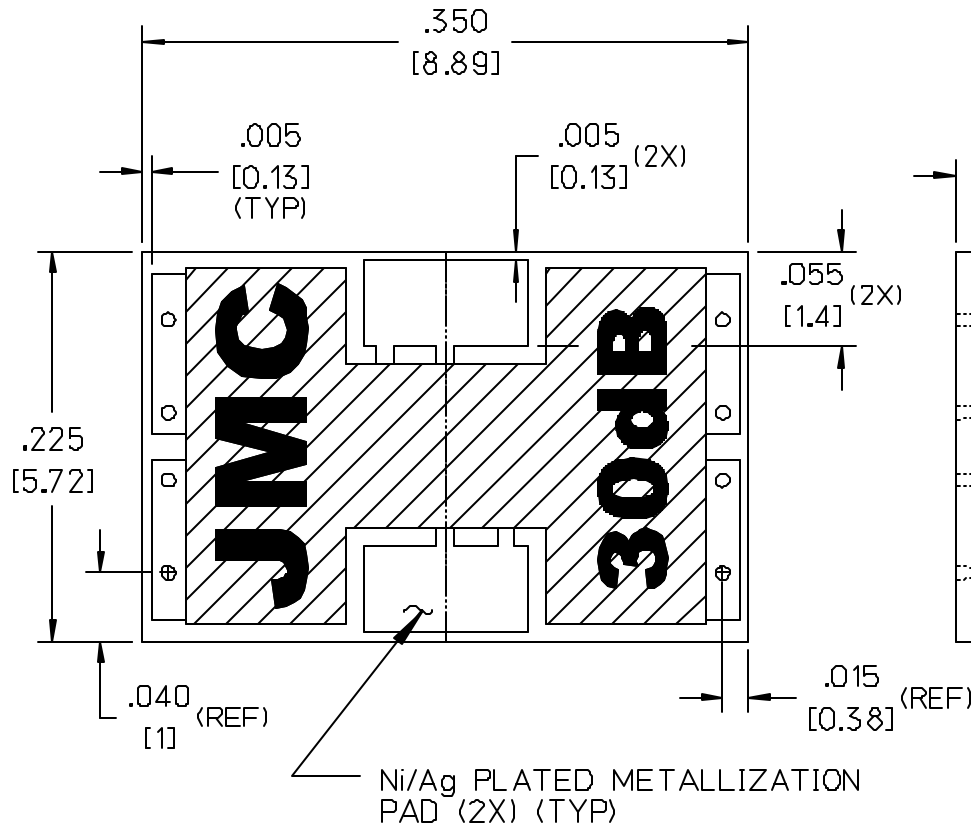


CA2335A0308C-06 A

CHIP ATTENUATOR, HIGH POWER, ALN

SPECIFICATIONS	FILE ATTNOU
POWER MAX (WATTS):	120 CW
ATTENUATION	30 dB (±1.0 dB)
FREQUENCY	VSWR
DC - 3.5 GHz	1.2 1
DIMENSIONS IN BRACKETS IN [mm]	



A	07/20/09	SDJ	-	-	000785
LEVEL	DATE	DRN.	CHK.	APP.	ECN

REVISIONS

DRN.	CHK.	APP.	SCALE
SDJ	SDJ	MAI	4' - 1'
DATE	DATE	DATE	XX±.015 [381]
07/20/09	07/20/09	07/20/09	XX±.010 [254]



JOHANSON MANUFACTURING CORPORATION
 ROCKAWAY VALLEY ROAD, BOONTON, N.J. 07005 (973)534-2676 FAX (973)534-2954
 ELECTRONIC ACCURACY THROUGH MECHANICAL PRECISION