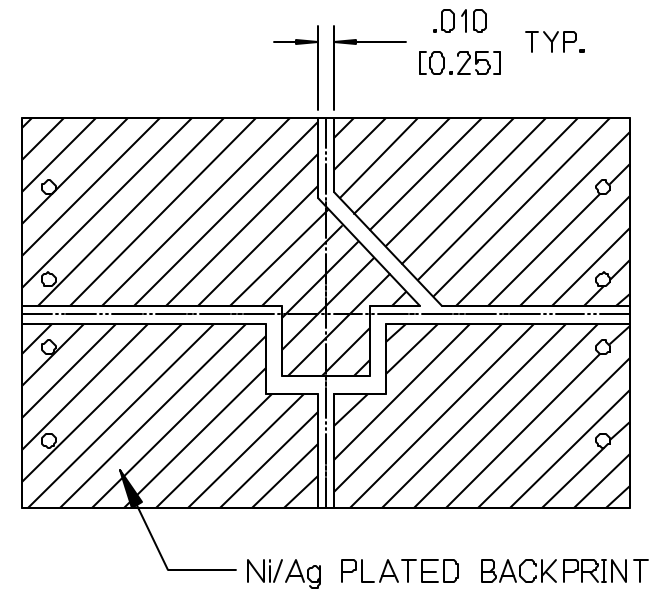
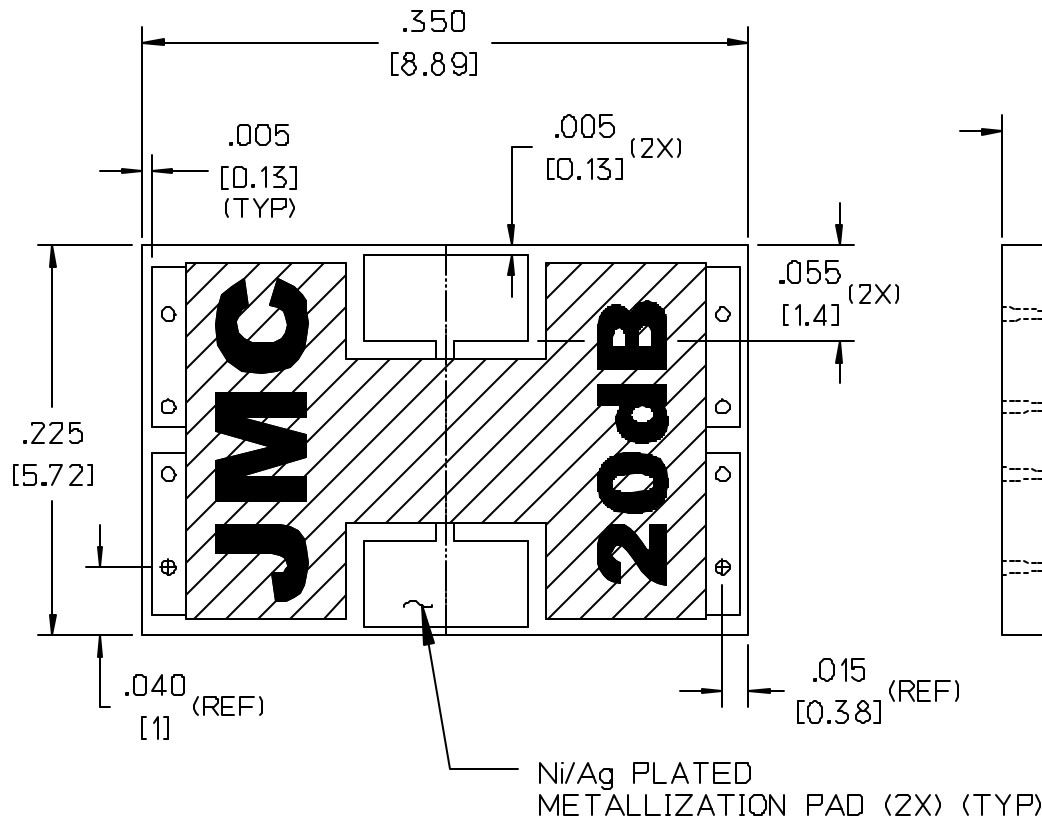


# CA2335A0208C-06 A

## CHIP ATTENUATOR, HIGH POWER, ALN

SPECIFICATIONS	FILE ATTNOU
POWER MAX (WATTS):	120 CW
ATTENUATION	20 dB (±1.0 dB)
FREQUENCY	VSWR
DC - 3.5GHz	1.2 1
DIMENSIONS IN BRACKETS IN [mm]	



A	07/21/09	SDJ	-	-	000785
LEVEL	DATE	DRN.	CHK.	APP.	ECN

REVISIONS

DRN.	CHK.	APP.	SCALE
SDJ	SDJ	MAI	4" - 1"
DATE	DATE	DATE	.XX±.015 [38]
07/21/09	07/21/09	07/21/09	.XXX±.010 [254]



**JOHANSON MANUFACTURING CORPORATION**

ROCKAWAY VALLEY ROAD, BOONTON, N.J. 07005 (973)534-2676 FAX (973)534-2954  
ELECTRONIC ACCURACY THROUGH MECHANICAL PRECISION