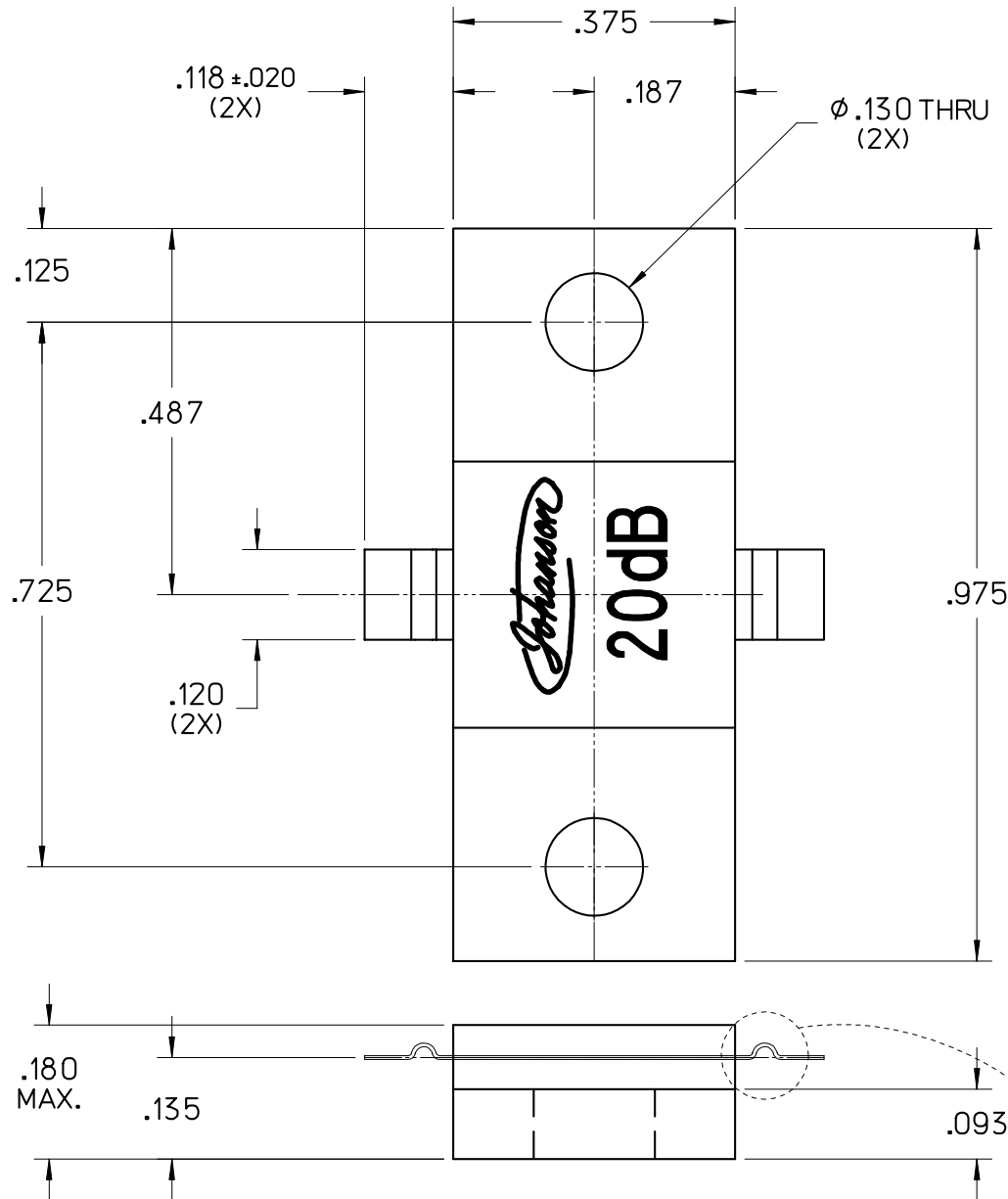
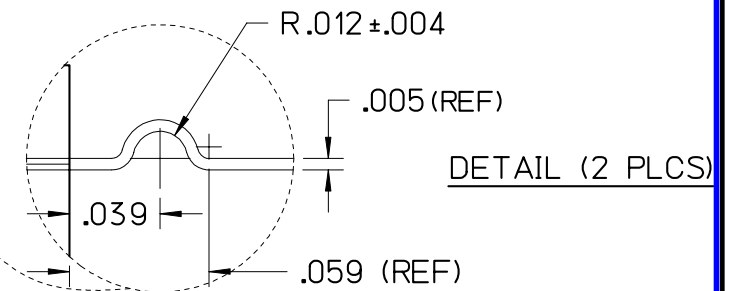
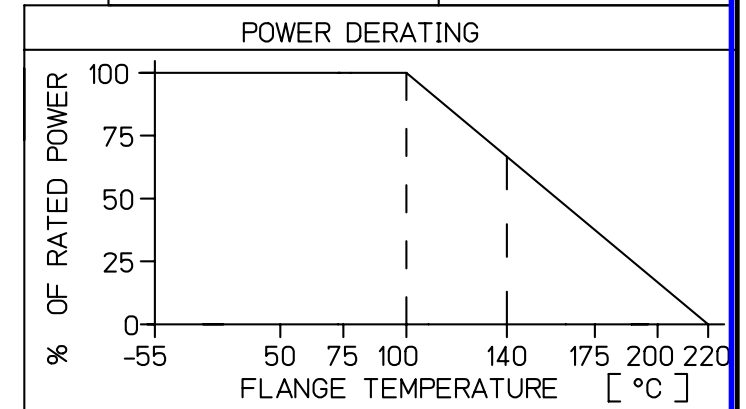


# AF200A02012-480B

## HIGH POWER ALN ATTENUATOR



SPECIFICATIONS		FILE: ATTNOUT
POWER MAX (WATTS):	200 CW (135 CW MAX @ 140 °C)	
ATTENUATION	20 dB (±1.0 dB)	
FREQUENCY	VSWR	
DC - 2000MHz	1.2 : 1	



B	10/01/08	MAI	MAI	MAI	000714
A	09/29/08	MAI	-	-	000713
LEVEL	DATE	DRN.	CHK.	APP.	ECN

REVISIONS

DRN.	CHK.	APP.	SCALE
MAI	MAI	MAI	4" = 1"
DATE	DATE	DATE	.XX ± .015
09/29/08	09/29/08	09/29/08	.XXX ± .010



**JOHANSON MANUFACTURING CORPORATION**  
 ROCKAWAY VALLEY ROAD, BOONTON, N.J. 07005 (973)334-2676 FAX (973)334-2954  
 ELECTRONIC ACCURACY THROUGH MECHANICAL PRECISION