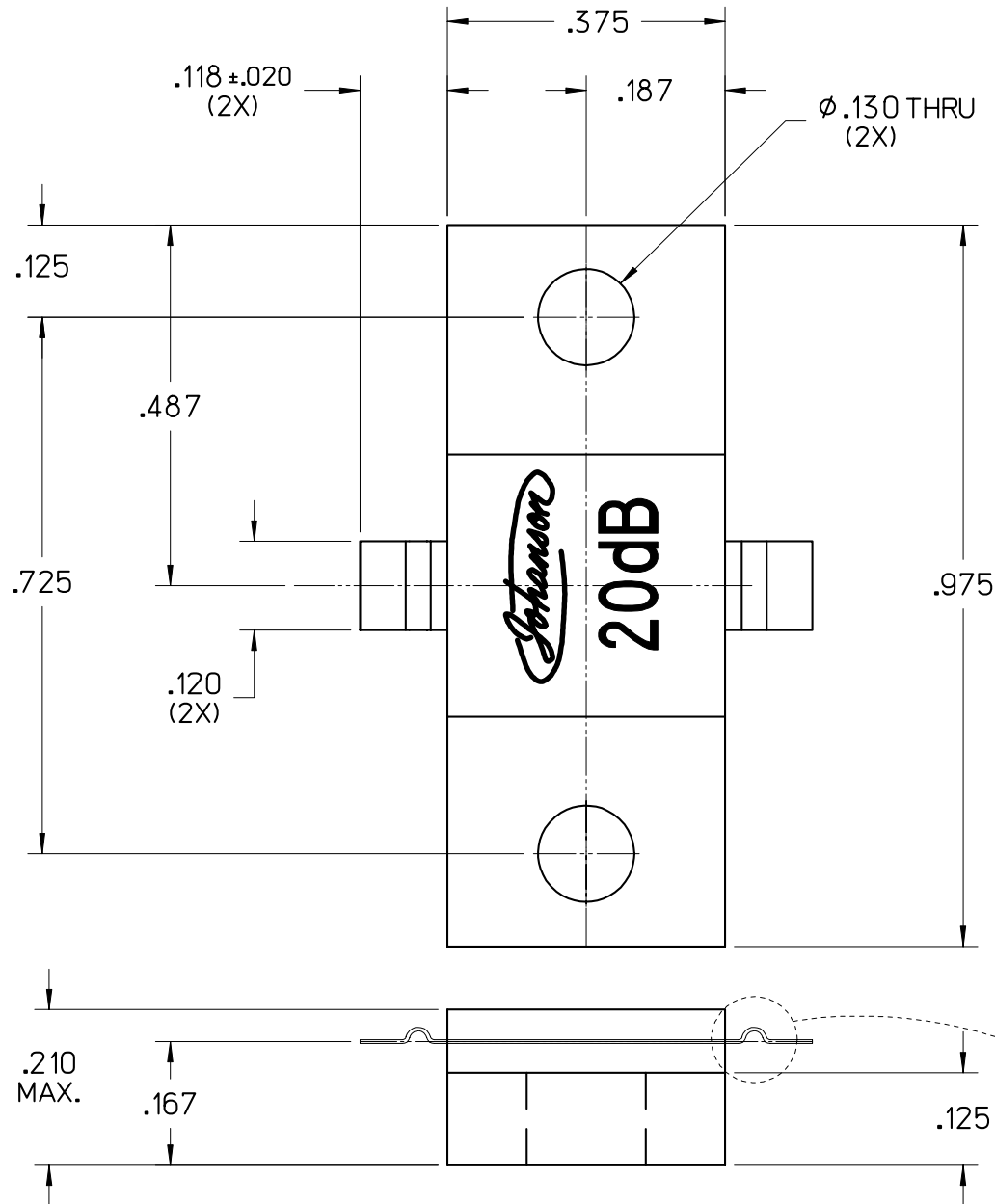


AF200A02012-080B

HIGH POWER ALN ATTENUATOR

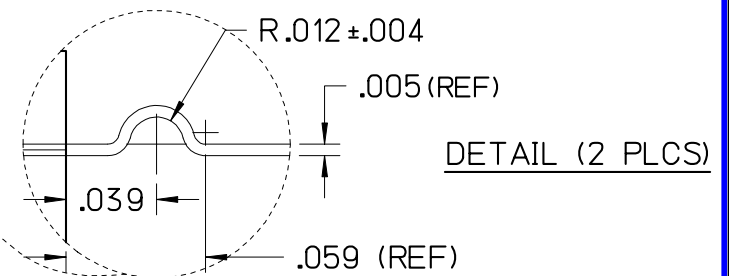
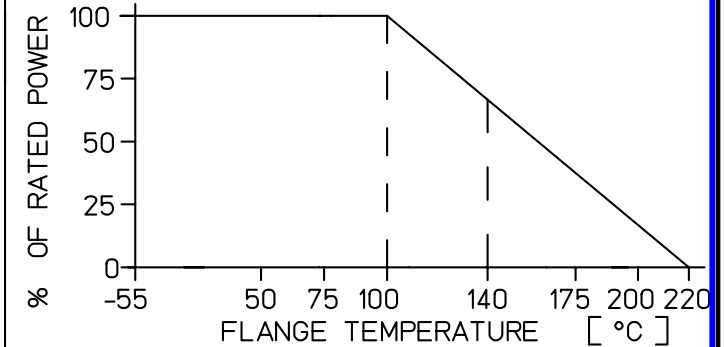


SPECIFICATIONS

FILE: ATTNOUT

POWER MAX (WATTS):	200 CW (135 CW MAX @ 140 °C)
ATTENUATION	20 dB (± 1.0 dB)
FREQUENCY	VSWR
DC - 2000MHz	1.2 : 1

POWER DERATING



DETAIL (2 PLCS)

B	10/01/08	MAI	MAI	MAI	000714
A	09/29/08	MAI	-	-	000713
LEVEL	DATE	DRN.	CHK.	APP.	ECN

REVISIONS

DRN.	CHK.	APP.	SCALE
MAI	MAI	MAI	4" = 1"
DATE	DATE	DATE	.XX \pm .015
09/29/08	09/29/08	09/29/08	.XXX \pm .010



JOHANSON MANUFACTURING CORPORATION

ROCKAWAY VALLEY ROAD, BOONTON, N.J. 07005 (973)334-2676 FAX (973)334-2954
ELECTRONIC ACCURACY THROUGH MECHANICAL PRECISION

PROPRIETARY INFORMATION CONTAINED NOT TO BE USED WITHOUT JOHANSON MANUFACTURING CORPORATION APPROVAL