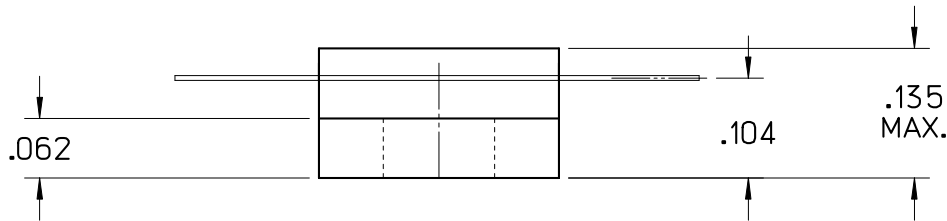
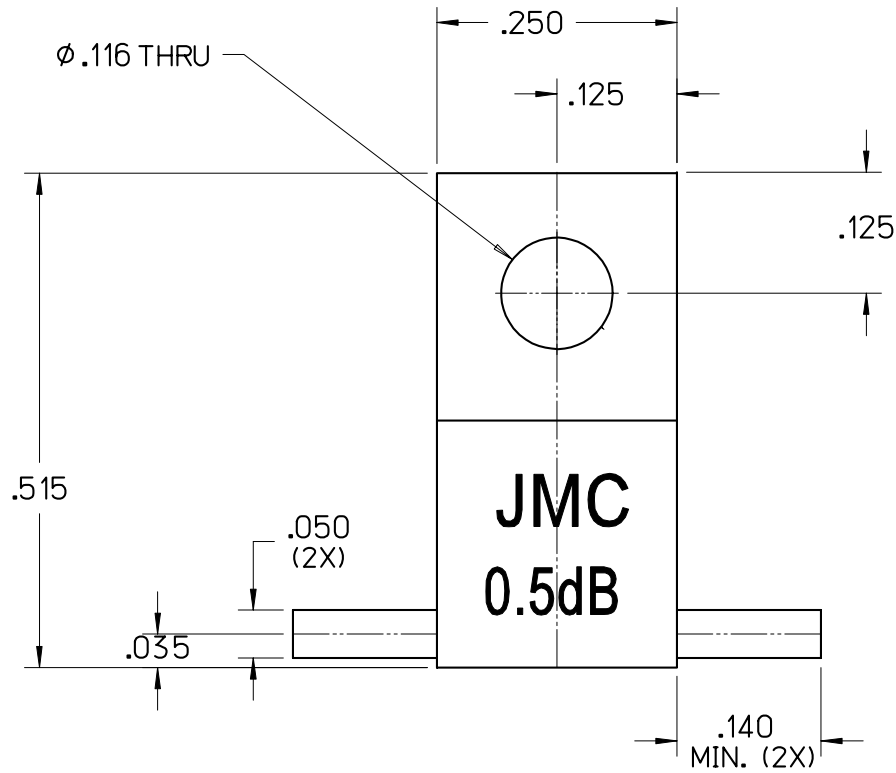


AF025A0R53A A

HIGH POWER ALN ATTENUATOR



SPECIFICATIONS		FILE: ATNOUT
POWER MAX (WATTS):	25 CW	
ATTENUATION:	0.5 dB (±0.2dB)	

LEVEL	DATE	DRN.	CHK.	APP.	ECN
A	06/08/07	SAF	-	-	000560
REVISIONS					
DRN.	SAF	CHK.	MAI	APP.	MAI
DATE	06/08/07	DATE	06/12/07	DATE	06/12/07
					SCALE
					5" = 1"
					.XX ± .015
					.XXX ± .010



JOHANSON MANUFACTURING CORPORATION
 ROCKAWAY VALLEY ROAD, BOONTON, N.J. 07005 (973)334-2676 FAX (973)334-2954
 ELECTRONIC ACCURACY THROUGH MECHANICAL PRECISION